

SPECIFICATIONS:	
STEPS PER REVOLUTION: 200	ROTOR INERTIA: 135 G-CM ² (1.91E-3 oz-in-sec ²)NOM
STEP ANGLE: 1.8°	DETENT TORQUE: 0.022 N-m (3.11 OZ-IN)MIN
STEP TO STEP ACCURACY: ±.09 DEGREES [1], [2]	INSULATION CLASS: B
RADIAL PLAY: 0.02mm MAX W/.5KG RADIAL LOAD	WEIGHT: 0.42 KG (0.93 LB)
TEMP. RISE: 80 °C MAX. [8]	OPERATING TEMP. RANGE: -20 TO +50 °C
RELATIVE HUMIDITY RANGE: 15 TO 85 %	STORAGE TEMP. RANGE: -30 TO +70 °C

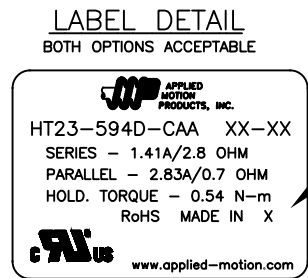
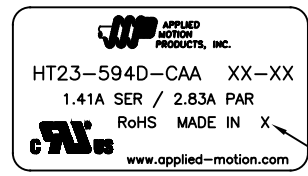
SPECIFICATION CONNECTION	[3]	[7]	[1]	[1]
	RESISTANCE PER PHASE OHM ±10%	INDUCTANCE PER PHASE mH ±20%	RATED CURRENT Amp	HOLDING TORQUE N-m Min oz-in Min
BI-POLAR SERIES	2.8	5.6	1.41	0.54 / 76.5
BI-POLAR PARALLEL	0.7	1.4	2.83	0.54 / 76.5
UNI-POLAR	1.4	1.4	2.00	0.39 / 55.2

NOTES, UNLESS OTHERWISE SPECIFIED:

- [1] MEASUREMENTS MADE AT RATED CURRENT IN BOTH PHASES.
- [2] BETWEEN ANY TWO ADJACENT FULL STEP POSITIONS.
- [3] MEASUREMENTS MADE AT LEAD ENDS.
 4. HIPOT 500 VAC, 60 Hz FOR ONE MINUTE.
 5. LEADS: 8, 22 AWG, 7 STRAND MIN., UL AND CSA APPROVED, UL 1430 OR UL 3265.
 6. INSULATION RESISTANCE: 100 MEGAOHMS MIN AT 500 VDC.
- [7] AS MEASURED ACROSS ANY WINDING USING AN A.C. INDUCTANCE BRIDGE, AT 1 kHz. MEASUREMENTS MADE AT LEAD ENDS.
- [8] AS MEASURED BY THE CHANGE IN RESISTANCE METHOD, WITH RATED VOLTAGE APPLIED TO 2 PHASES; WITH MOTOR AT REST.
- [9] ENCODER 970-1024 INSTALLED PER AMP ASSEMBLY PRACTICES. ENCODER CABLE SOLD SEPARATELY.
10. THIS MOTOR IS MANUFACTURED IN COMPLIANCE WITH THE CURRENT EU RoHS DIRECTIVE.
- [11] MOTOR LABEL TO INCLUDE "RoHS" COMPLIANT, 'MADE IN (COUNTRY OF ORIGIN)' AND DATE CODE.
12. OTHER TAPPED HOLES MAY BE PRESENT ON REAR OF MOTOR.

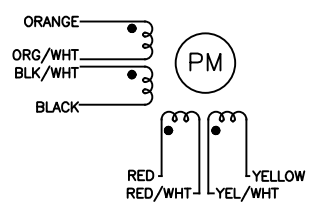
HT23-594D-CAA

REVISIONS				
ECO NO.	REV	DESCRIPTION	DATE	APPROVED
7710	A	INITIAL RELEASE	9/27/17	J KORDIK



[11]

WIRING DIAGRAM

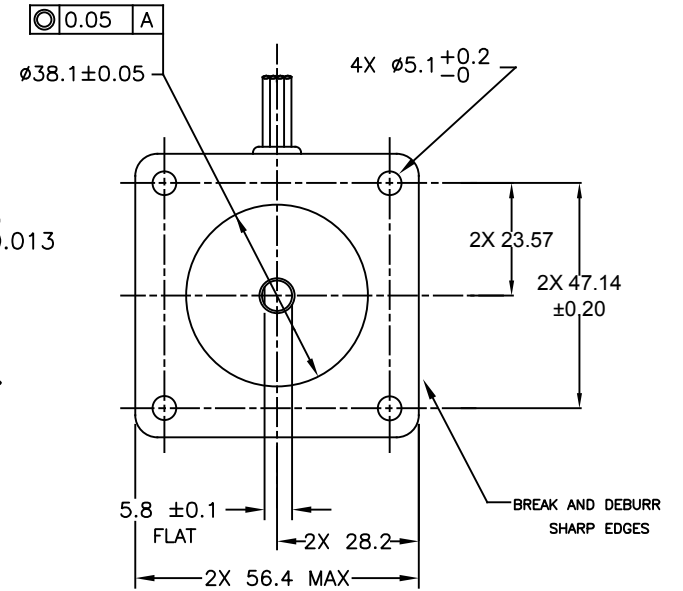
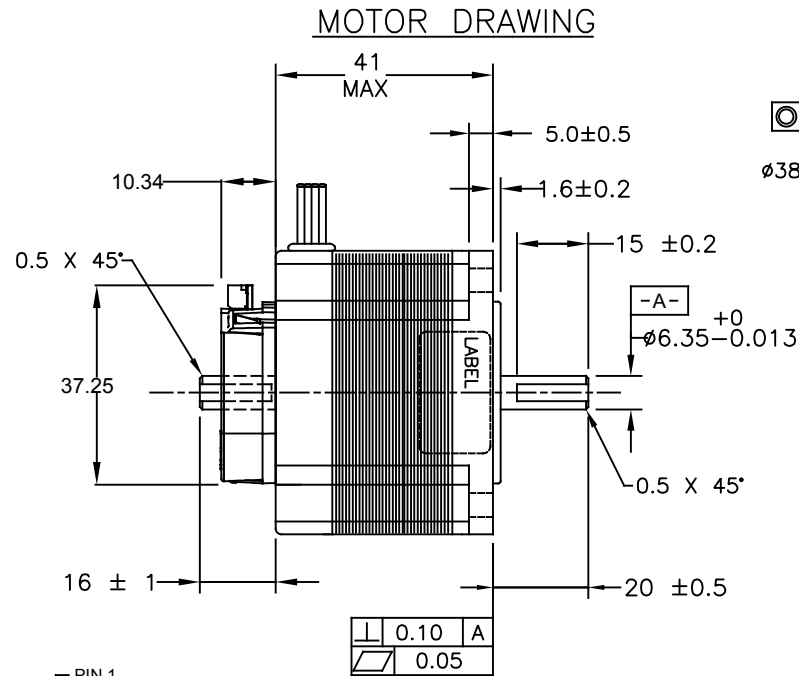
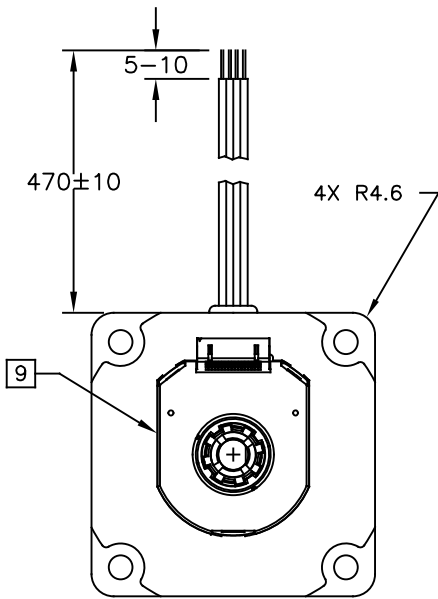


BI-POLAR, FULL STEP, 2 PHASE ON

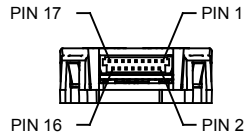
STEP	ORANGE & BLK/WHT	BLACK & ORG/WHT	RED & YEL/WHT	YELLOW & RED/WHT
0	+	-	+	-
1	-	+	+	-
2	-	+	-	+
3	+	-	-	+
4	+	-	+	-

SWITCHING SEQUENCE FOR ROTATION FACING MOUNTING END.

CONTRACT NO.					
APPROVALS	DATE				
DRAWN <i>N.DEY</i>	9/11/17	<h2>STEP MOTOR OUTLINE</h2>			
CHECKED <i>K.KESLER</i>	9/22/17				
APPROVED		B	COMPUTER DATA BASE DRAWING	DWG NO. HT23-594D-CAA	REV A
APPROVED		SCALE: 7:10		SHEET 1 OF 2	



CONNECTOR	
PIN NO:	SIGNAL
1	TX_ENC+
2	RX_ENC+
3	N/A
4	GND
5	N/A
6	+5 V
7	N/A
8	B+
9	B-
10	A+
11	A-
12	Z+
13	Z-
14	MCLRB
15	N/A
16	N/A
17	N/A



⊥	0.10	A
▨	0.05	

TOLERANCES	THIRD ANGLE PROJECTION	APPLIED MOTION PRODUCTS, INC.			
DECIMALS: MM X.XXX = ±0.013 X.XX = ±0.25 X.X = ±2.5 ANGLES: MACH. = ±5° CHAM. = ±5°		STEP MOTOR OUTLINE			
				APPROVALS	DATE
	COMPUTER DATA BASE DRAWING	DRAWN N. DEY	DATE 9/11/17	B DWG NO. HT23-594D-CAA	REV A
		CHECKED K. KESLER	DATE 9/22/17		