

SPECIFICATIONS:	
STEPS PER REVOLUTION: 200	ROTOR INERTIA: 135 G-CM <sup>2</sup> (1.91E-3 oz-in-sec <sup>2</sup> )NOM
STEP ANGLE: 1.8°	DETTENT TORQUE: 0.022 N-m (3.11 OZ-IN)MIN
STEP TO STEP ACCURACY: ±.09 DEGREES [1], [2]	INSULATION CLASS: B
RADIAL PLAY: 0.02mm MAX W/.5KG RADIAL LOAD	WEIGHT: 0.42 KG (0.93 LB)
TEMP. RISE: 80 °C MAX. [8]	OPERATING TEMP. RANGE: -20 TO +50 °C
RELATIVE HUMIDITY RANGE: 15 TO 85 %	STORAGE TEMP. RANGE: -30 TO +70 °C

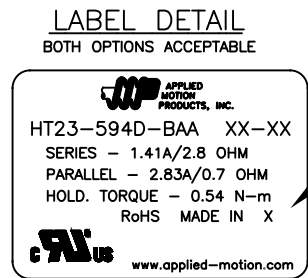
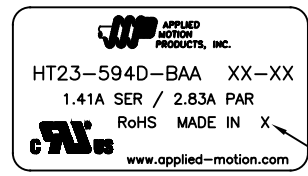
SPECIFICATION CONNECTION	[3]	[7]	[1]	[1]
	RESISTANCE PER PHASE OHM ±10%	INDUCTANCE PER PHASE mH ±20%	RATED CURRENT Amp	HOLDING TORQUE N-m Min oz-in Min
BI-POLAR SERIES	2.8	5.6	1.41	0.54 / 76.5
BI-POLAR PARALLEL	0.7	1.4	2.83	0.54 / 76.5
UNI-POLAR	1.4	1.4	2.00	0.39 / 55.2

NOTES, UNLESS OTHERWISE SPECIFIED:

- [1] MEASUREMENTS MADE AT RATED CURRENT IN BOTH PHASES.
- [2] BETWEEN ANY TWO ADJACENT FULL STEP POSITIONS.
- [3] MEASUREMENTS MADE AT LEAD ENDS.
  - 4. HIPOT 500 VAC, 60 Hz FOR ONE MINUTE.
  - 5. LEADS: 8, 22 AWG, 7 STRAND MIN., UL AND CSA APPROVED, UL 1430 OR UL 3265.
  - 6. INSULATION RESISTANCE: 100 MEGAOHMS MIN AT 500 VDC.
- [7] AS MEASURED ACROSS ANY WINDING USING AN A.C. INDUCTANCE BRIDGE, AT 1 kHz. MEASUREMENTS MADE AT LEAD ENDS.
- [8] AS MEASURED BY THE CHANGE IN RESISTANCE METHOD, WITH RATED VOLTAGE APPLIED TO 2 PHASES; WITH MOTOR AT REST.
- [9] ENCODER 970-1028 INSTALLED PER AMP ASSEMBLY PRACTICES. ENCODER CABLE SOLD SEPARATELY.
- 10. THIS MOTOR IS MANUFACTURED IN COMPLIANCE WITH THE CURRENT EU RoHS DIRECTIVE.
- [11] MOTOR LABEL TO INCLUDE "RoHS" COMPLIANT, 'MADE IN (COUNTRY OF ORIGIN)' AND DATE CODE.
- 12. OTHER TAPPED HOLES MAY BE PRESENT ON REAR OF MOTOR.

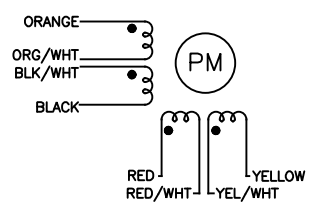
HT23-594D-BAA

REVISIONS				
ECO NO.	REV	DESCRIPTION	DATE	APPROVED
7747	A	INITIAL RELEASE	12/20/17	J.KORDIK



[11]

WIRING DIAGRAM

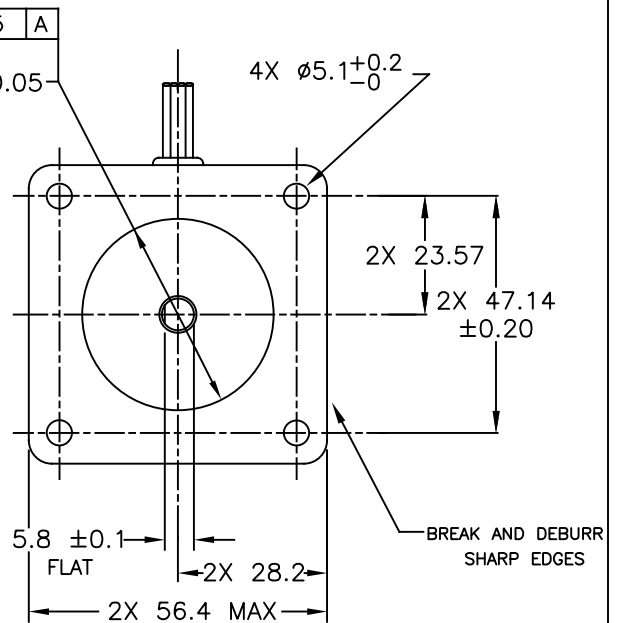
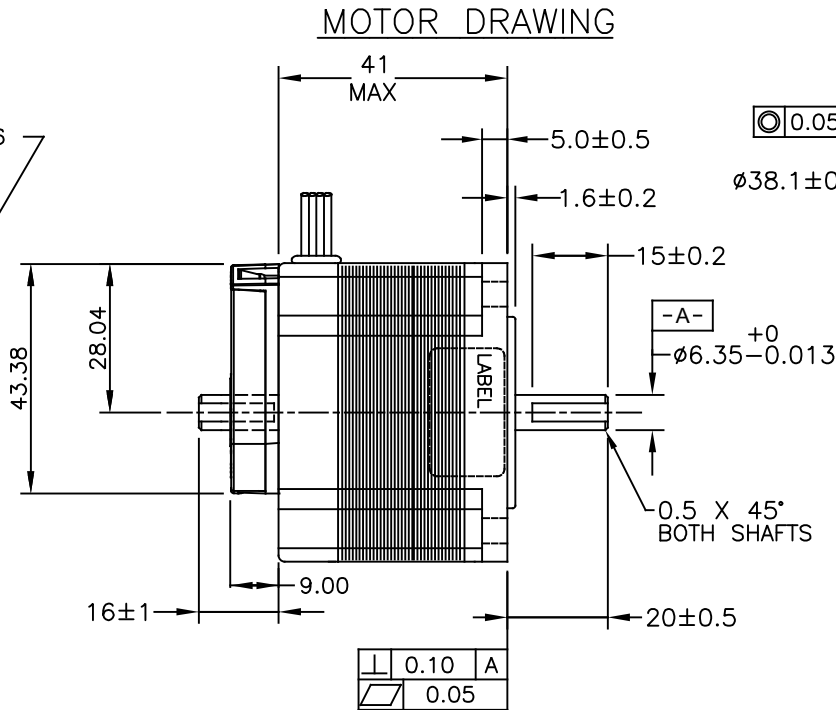
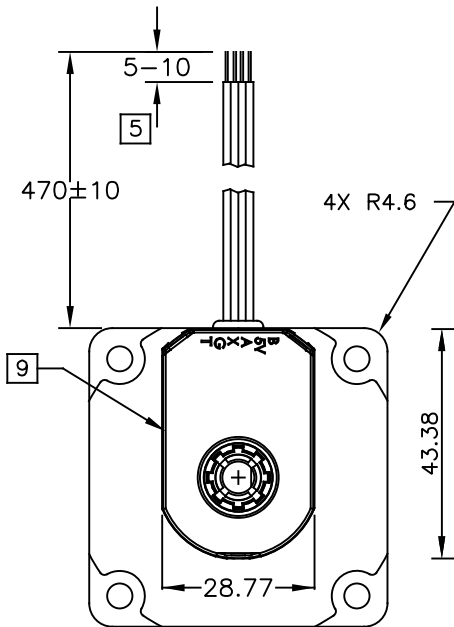


BI-POLAR, FULL STEP, 2 PHASE ON

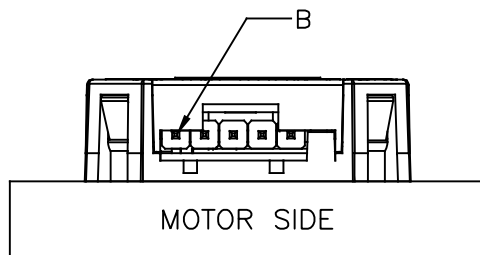
STEP	ORANGE & BLK/WHT	BLACK & ORG/WHT	RED & YEL/WHT	YELLOW & RED/WHT
0	+	-	+	-
1	-	+	+	-
2	-	+	-	+
3	+	-	-	+
4	+	-	+	-

SWITCHING SEQUENCE FOR ROTATION FACING MOUNTING END.

CONTRACT NO.					
APPROVALS	DATE				
DRAWN <i>N.DEY</i>	10/24/17	<h2>STEP MOTOR OUTLINE</h2>			
CHECKED <i>K.KESLER</i>	12/20/17				
APPROVED <i>J.KORDIK</i>	12/20/17				
APPROVED		B	COMPUTER DATA BASE DRAWING	DWG NO. HT23-594D-BAA	REV A
SCALE: 7:10		SHEET 1 OF 2			



CONNECTOR	
PIN NO:	SIGNAL
B	B CHANNEL
5V	+5 V
A	A CHANNEL
X	INDEX CHANNEL
G	GND
T	UNUSED



$\perp$	0.10	A
$\square$	0.05	

$\odot$	0.05	A
---------	------	---

TOLERANCES		THIRD ANGLE PROJECTION		APPLIED MOTION PRODUCTS, INC.	
DECIMALS: MM X.XXX = ±0.013 X.XX = ±0.25 X.X = ±2.5 ANGLES: MACH. = ±5° CHAM. = ±5°					
COMPUTER DATA BASE DRAWING		APPROVALS DRAWN <i>N. DEY</i> CHECKED <i>K. KESLER</i> APPROVED <i>J. KORDIK</i>	DATE 10/24/17 12/20/17 12/20/17		
		B	DWG NO. HT23-594D-BAA	REV A	SCALE: 7:10
				SHEET 2 OF 2	