

SPECIFICATIONS:

STEPS PER REVOLUTION: 200	ROTOR INERTIA: 120 G-CM ² (0.66 OZ-IN ²) NOM
STEP ANGLE: 1.8°	DETENT TORQUE: N/AG-CM (N/A OZ-IN) MIN
STEP TO STEP ACCURACY: ±5 % [1], [2]	INSULATION CLASS: B
POSITIONAL ACCURACY: ±5 % [1], [3]	BEARINGS: ABEC 3, DOUBLE SHIELDED
HYSTERESIS: - %	WEIGHT: 0.47 KG (1.03 LB)
SHAFT RUNOUT: 0.05 T.I.R.	TEMP. RISE: 80 °C MAX. [9]
RADIAL PLAY: 0.02 MAX W/0.45 KG RADIAL LOAD	OPERATING TEMP. RANGE: -20 TO +50 °C
END PLAY: 0.08 MAX W/1.0 KG AXIAL LOAD	STORAGE TEMP. RANGE: -40 TO +70 °C
	RELATIVE HUMIDITY RANGE: 5 TO 95 %

HT23-552D-ZAA

REVISIONS

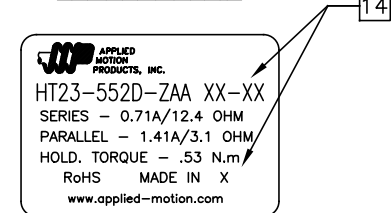
ECO NO.	REV	DESCRIPTION	DATE	APPROVED
6941	A	INITIAL RELEASE	6/16/14	J KORDIK
8034	B	CHG REAR SHAFT LENGTH/TYPO	8/28/18	M.Maroney

CONNECTION	NUMBER OF PHASE	RESISTANCE PER PHASE OHM ±10%	INDUCTANCE PER PHASE mH ±20%	RATED CURRENT Amp	RATED VOLTAGE V	HOLDING TORQUE Nm Min	[1]
							[7]
BI-POLAR SERIES	2	12.4	30.4	0.71	7.8	0.53	
BI-POLAR PARALLEL	2	3.1	7.6	1.41	3.9	0.53	
UNI-POLAR	4	6.2	7.6	1.00	5.6	0.42	

NOTES, UNLESS OTHERWISE SPECIFIED:

- [1] MEASUREMENTS MADE AT RATED CURRENT IN EACH PHASE.
- [2] BETWEEN ANY TWO ADJACENT STEP POSITIONS.
- [3] MAXIMUM ERROR IN 360°.
- 4. HIPOT 500 VAC, 60 Hz FOR ONE MINUTE.
- [5] LEADS: 8, 24AWG, 7 STRAND MIN.,UL AND CSA APPROVED, UL 1430 OR UL 3265. CABLE, 8 COND. W/DRAIN. CABLE 666-2107.
- 6. INSULATION RESISTANCE: 100 MEGOHMS MIN AT 500 VDC.
- [7] MEASUREMENTS MADE WITHOUT CABLE.
- [8] AS MEASURED ACROSS ANY WINDING USING AN A.C. INDUCTANCE BRIDGE, AT 1KHz. MEASUREMENTS MADE WITHOUT CABLE.
- [9] AS MEASURED BY THE CHANGE IN RESISTANCE METHOD, WITH RATED VOLTAGE APPLIED TO 2 PHASES; WITH MOTOR AT REST.
- 10. HIGH TORQUE MOTOR DESIGN, MICROSTEP LAMINATION.
- 11. ROTOR & STATOR LAMINATED CONSTRUCTION.
- [12] DRAIN WIRE TO BE CONNECTED TO INSIDE OF REAR ENDBELL.
- 13. THIS MOTOR TO BE MANUFACTURED IN COMPLIANCE WITH EU DIRECTIVE "ROHS 2002/95/EC".
- [14] MOTOR LABEL TO INCLUDE "ROHS" COMPLIANT, DATE CODE AND "MADE IN (COUNTRY OF ORIGIN)".
- [15] ENCODER 970-1001 INSTALLED PER AMP ASSEMBLY PRACTICES. ENCODER CABLE SOLD SEPARATELY..

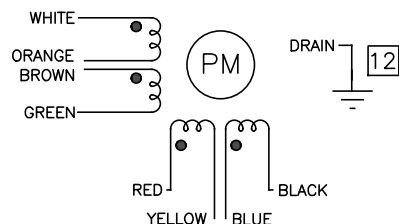
LABEL DETAIL



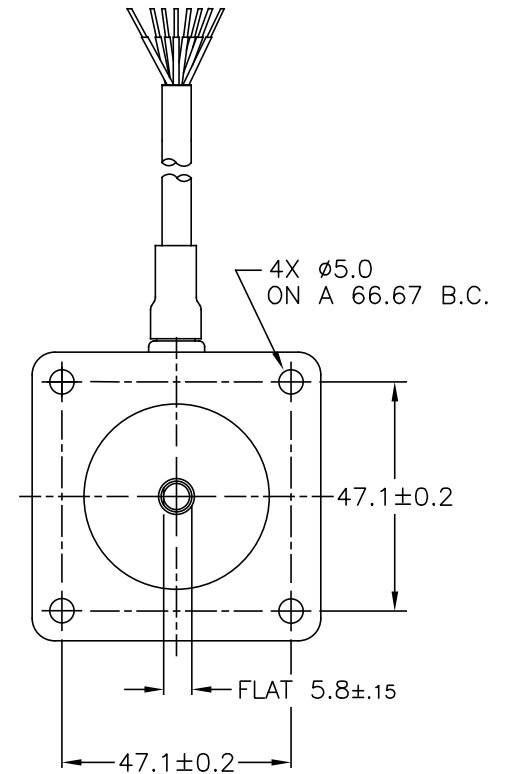
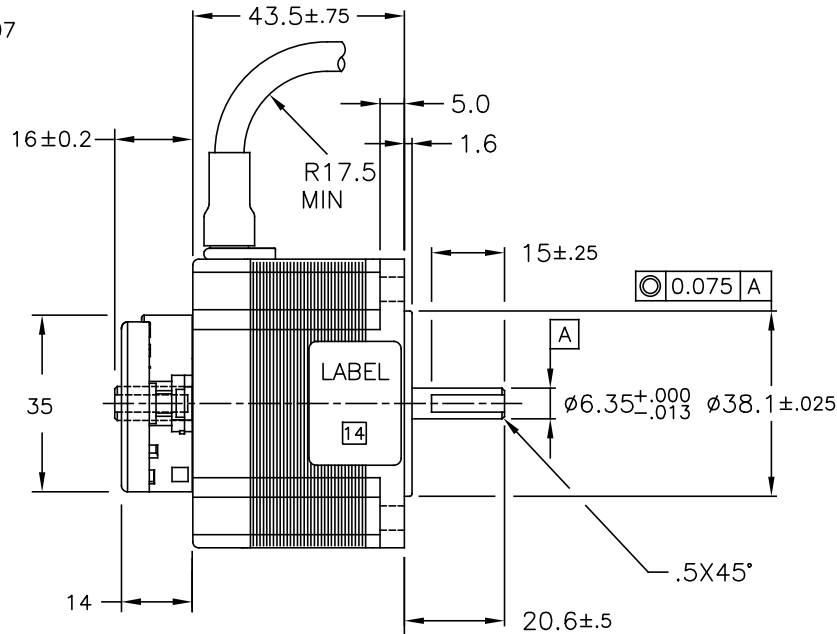
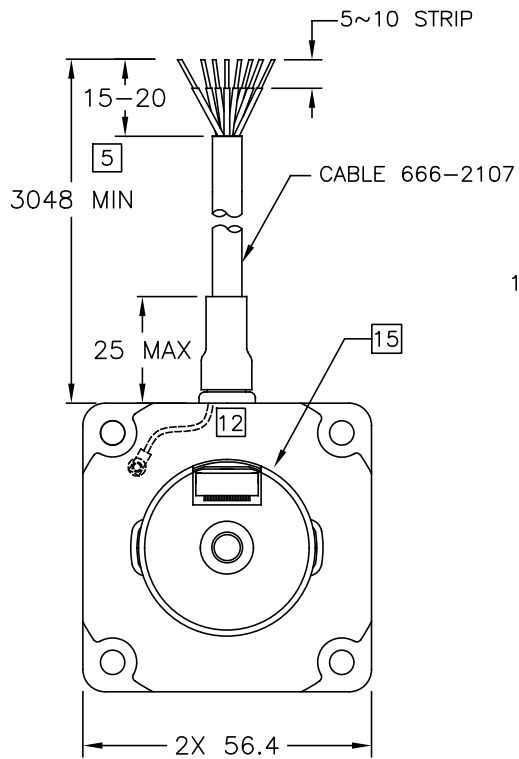
BIPOLAR, FULL STEP, 2 PHASE ON SERIES CONNECTED

SWITCHING SEQUENCE FOR CW ROTATION FACING MOUNTING END WITH ORANGE WIRE CONNECTED TO BROWN, YELLOW CONNECTED TO BLUE.

STEP	WHITE	GREEN	RED	BLACK
0	+	-	+	-
1	-	+	+	-
2	-	+	-	+
3	+	-	-	+
4	+	-	+	-

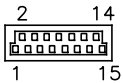


CONTRACT NO. -					
APPROVALS	DATE	STEP MOTOR OUTLINE			
DRAWN R.JONEZ	3/18/14				
CHECKED					
APPROVED					
APPROVED		B	COMPUTER DATA BASE DRAWING	DWG NO. HT23-552D-ZAA	REV B
APPROVED		SCALE: NONE		SHEET 1 OF 2	



ENCODER RESOLUTION: 2000 cpr
WITH MARKER PULSE.

ENCODER PINOUTS	
PIN	SIGNAL
1	CH A
2	CH A-
3	CH B
4	CH B-
5	INDEX
6	INDEX-
7	N/C
8	N/C
9	N/C
10	N/C
11	N/C
12	N/C
13	+Vcc
14	GND
15	N/C



\perp	0.10	A
∇	0.05	

ALL DIMENSIONS ARE IN MILLIMETERS

TOLERANCES		THIRD ANGLE PROJECTION		APPLIED MOTION PRODUCTS, INC.	
DECIMALS: MM (INCH) X.XXX = ± (.005) X.XX = ±0.13 (.010) X.X = ±0.25 (.020) ANGLES: MACH. = ±.5° CHAM. = ±5°					
APPROVALS DRAWN R. JONEZ CHECKED APPROVED		DATE 3/18/14			
COMPUTER DATA BASE DRAWING		SCALE: NONE		STEP MOTOR OUTLINE DWG. NO. HT23-552D-ZAA REV B	
		SHEET 2 OF 2			