

SPECIFICATIONS:

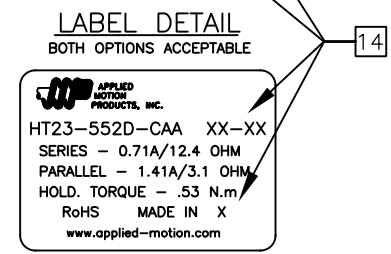
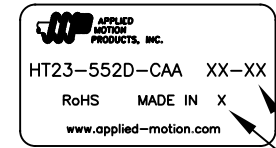
STEPS PER REVOLUTION: 200	ROTOR INERTIA: 120 G-CM ² (0.66 OZ-IN ²) NOM
STEP ANGLE: 1.8°	DETENT TORQUE: N/A G-CM (N/A OZ-IN) MIN
STEP TO STEP ACCURACY: ±5 % [1], [2]	INSULATION CLASS: B
POSITIONAL ACCURACY: ±5 % [1], [3]	BEARINGS: ABEC 3, DOUBLE SHIELDED
HYSTERESIS: - %	WEIGHT: 0.47 KG (1.03 LB)
SHAFT RUNOUT: 0.05 T.I.R.	TEMP. RISE: 80 °C MAX. [9]
RADIAL PLAY: 0.02 MAX W/0.45 KG RADIAL LOAD	OPERATING TEMP. RANGE: -20 TO +50 °C
END PLAY: 0.08 MAX W/1.0 KG AXIAL LOAD	STORAGE TEMP. RANGE: -40 TO +70 °C
	RELATIVE HUMIDITY RANGE: 5 TO 95 %

HT23-552D-CAA

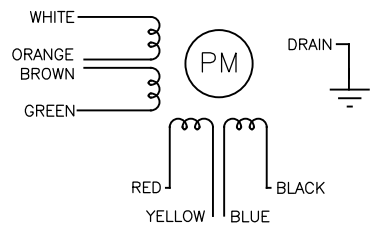
REVISIONS				
ECO NO.	REV	DESCRIPTION	DATE	APPROVED
7710	A	INITIAL RELEASE	9/27/17	J.Kordik
7877	B	DIMENSION MISSING	3/8/18	J.Kordik

SPECIFICATION	NUMBER OF PHASE	[7]		[8]		HOLDING TORQUE Nm Min
		RESISTANCE PER PHASE OHM ±10%	INDUCTANCE PER PHASE mH ±20%	RATED CURRENT Amp	RATED VOLTAGE V	
BI-POLAR SERIES	2	12.4	30.4	0.71	7.8	0.53
BI-POLAR PARALLEL	2	3.1	7.6	1.41	3.9	0.53
UNI-POLAR	4	6.2	7.6	1.00	5.6	0.42

- NOTES, UNLESS OTHERWISE SPECIFIED:
- [1] MEASUREMENTS MADE AT RATED CURRENT IN EACH PHASE.
 - [2] BETWEEN ANY TWO ADJACENT STEP POSITIONS.
 - [3] MAXIMUM ERROR IN 360°.
 - 4. HIPOT 500 VAC, 60 Hz FOR ONE MINUTE.
 - [5] LEADS: 8, 24AWG, 7 STRAND MIN., UL AND CSA APPROVED, UL 1430 OR UL 3265. CABLE, 8 COND. W/DRAIN. CABLE 666-2107.
 - 6. INSULATION RESISTANCE: 100 MEGAOHMS MIN AT 500 VDC.
 - [7] MEASUREMENTS MADE WITHOUT CABLE.
 - [8] AS MEASURED ACROSS ANY WINDING USING AN A.C. INDUCTANCE BRIDGE, AT 1KHz. MEASUREMENTS MADE WITHOUT CABLE.
 - [9] AS MEASURED BY THE CHANGE IN RESISTANCE METHOD, WITH RATED VOLTAGE APPLIED TO 2 PHASES; WITH MOTOR AT REST.
 - 10. HIGH TORQUE MOTOR DESIGN, MICROSTEP LAMINATION.
 - 11. ROTOR & STATOR LAMINATED CONSTRUCTION.
 - [12] DRAIN WIRE TO BE CONNECTED TO INSIDE OF REAR ENDBELL.
 - 13. THIS MOTOR IS MANUFACTURED IN COMPLIANCE WITH THE CURRENT EU RoHS DIRECTIVE.
 - [14] MOTOR LABEL TO INCLUDE "ROHS" COMPLIANT, DATE CODE AND "MADE IN (COUNTRY OF ORIGIN)".
 - [15] ENCODER 970-1024 INSTALLED PER AMP ASSEMBLY PRACTICES. ENCODER CABLE SOLD SEPARATELY.
 - 16. OTHER TAPPED HOLES MAY BE PRESENT ON REAR OF MOTOR.



BIPOLAR, FULL STEP, 2 PHASE ON SERIES CONNECTED
 SWITCHING SEQUENCE FOR CW ROTATION FACING MOUNTING END
 WITH ORANGE WIRE CONNECTED TO BROWN, YELLOW CONNECTED TO BLUE.

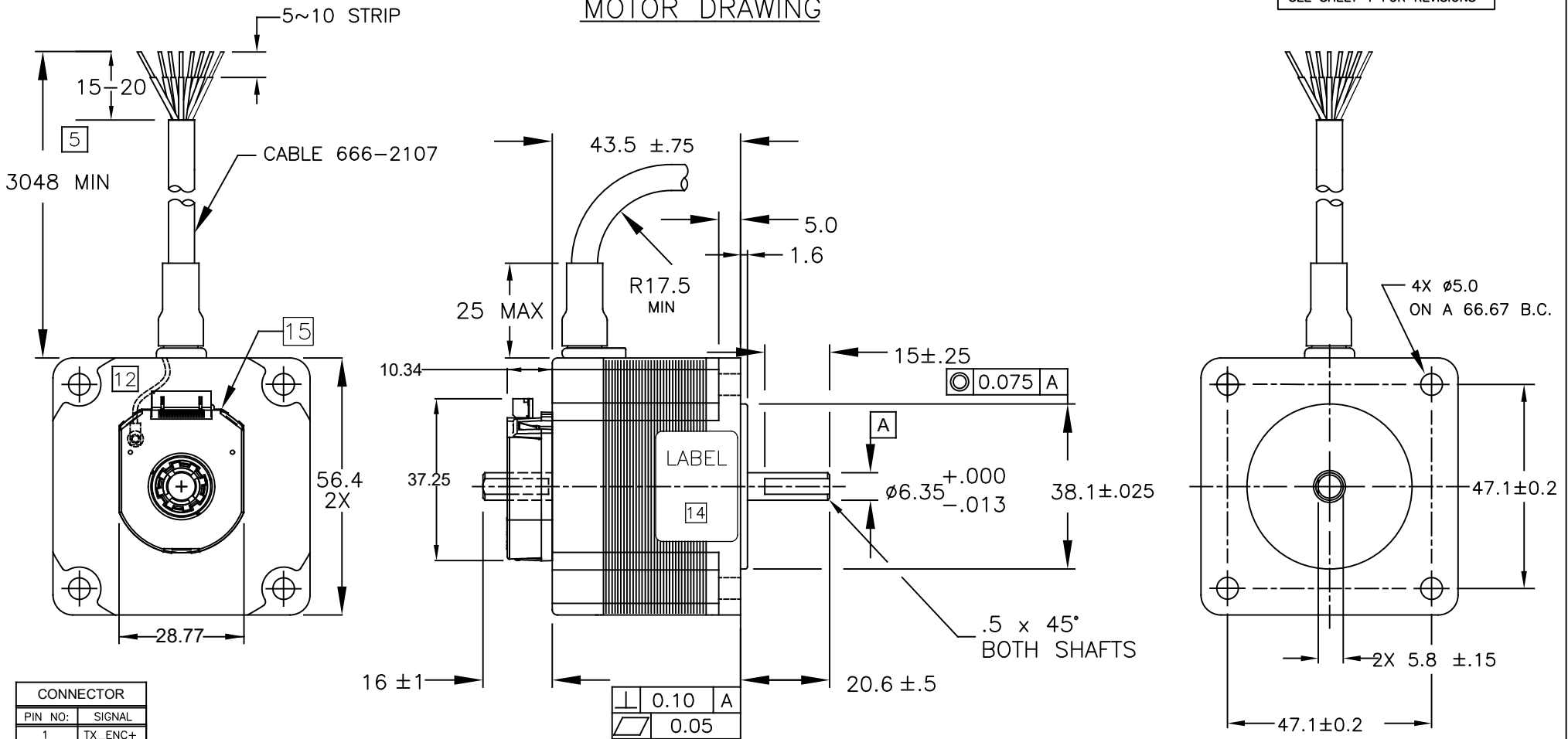


STEP	WHITE	GREEN	RED	BLACK
0	+	-	+	-
1	-	+	+	-
2	-	+	-	+
3	+	-	-	+
4	+	-	+	-

CONTRACT NO.		APPLIED MOTION PRODUCTS, INC.		
APPROVALS	DATE	STEP MOTOR OUTLINE		
DRAWN <i>N.DEY</i>	9/12/17			
CHECKED <i>K.KESLER</i>	9/22/17			
APPROVED				
APPROVED				
B	COMPUTER DATA BASE DRAWING	DWG NO. HT23-552D-CAA	REV B	
SCALE: 7:10		SHEET 1 OF 2		

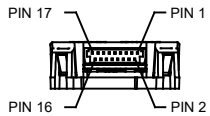
MOTOR DRAWING

SEE SHEET 1 FOR REVISIONS



CONNECTOR

PIN NO:	SIGNAL
1	TX_ENC+
2	RX_ENC+
3	N/A
4	GND
5	N/A
6	+5 V
7	N/A
8	B+
9	B-
10	A+
11	A-
12	Z+
13	Z-
14	MCLR B
15	N/A
16	N/A
17	N/A



ALL DIMENSIONS ARE IN MILLIMETERS

TOLERANCES		THIRD ANGLE PROJECTION		APPROVALS		DATE	
DECIMALS: MM X.XXX = ± X.XX = ±0.13 X.X = ±0.25 ANGLES: MACH. = ±.5° CHAM. = ±5°				DRAWN N.DEY		9/12/17	
COMPUTER DATA BASE DRAWING		APPROVED		CHECKED K.KESLER		9/22/17	
				APPLIED MOTION PRODUCTS, INC.			
<h2>STEP MOTOR OUTLINE</h2>							
B		DWG NO. HT23-552D-CAA				REV B	
SCALE: 7:10				SHEET 2 OF 2			