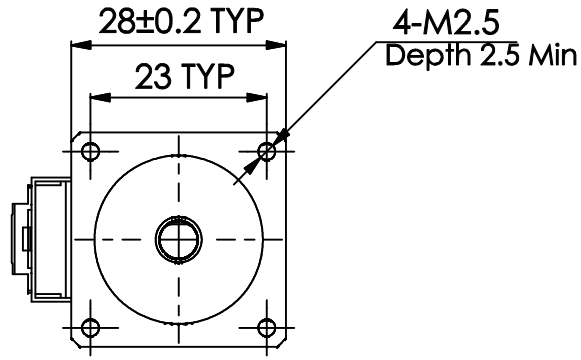
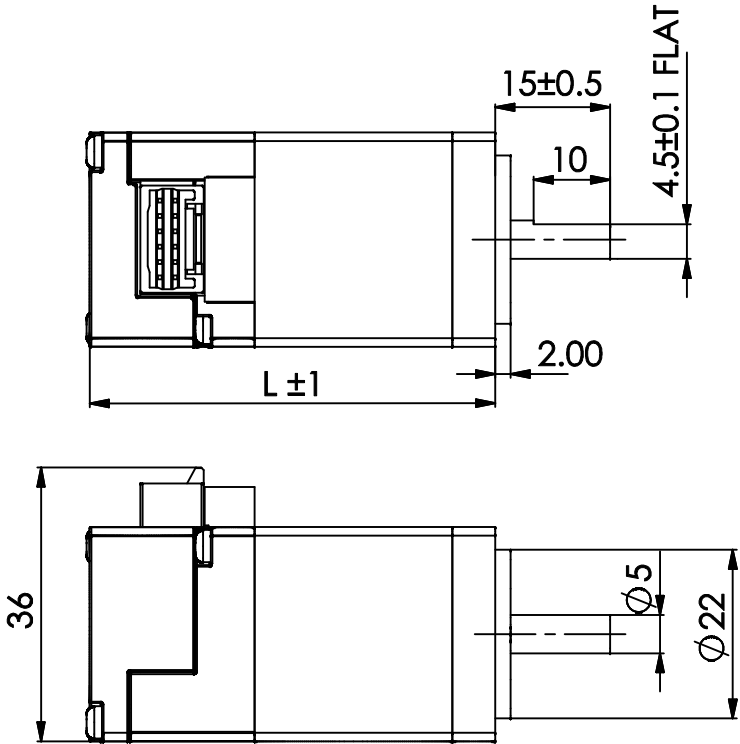

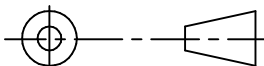


REVISIONS				
ECO NO.	REV	DESCRIPTION	DATE	APPROVED
7494	A	INITIAL RELEASE	11/11/16	J.KORDIK



Unit:mm	L
HT11-SS1DMA	43.8
HT11-SS2DMA	52.9
HT11-SS3DMA	64.1

HT11-SSxDMA

TOLERANCES		THIRD ANGLE PROJECTION		 APPLIED MOTION PRODUCTS, INC.	
DECIMALS: MM (INCH) X.XXX = ±0.013 (.005) X.XX = ±0.25 (.01) X.X = ±2.5 (0.1) ANGLES: MACH. = ±5° CHAM. = ±5°				STEP-SERVO MOTOR	
COMPUTER DATA BASE DRAWING		APPROVALS DRAWN <i>R. JONEZ</i> CHECKED	DATE <i>8/15/16</i>		
		APPROVED		SCALE: NONE	SHEET 1 OF 1