

SPECIFICATIONS:	
STEPS PER REVOLUTION: 200	ROTOR INERTIA: 8.0 G-CM ² (.044 OZ-IN ²)
STEP ANGLE: 1.8°	HOLDING TORQUE: 530 G-CM (7.4 OZ-IN)MIN ¹
STEP TO STEP ACCURACY: ±5 % ¹ , ²	DETENT TORQUE: 25.0 G-CM (.35 OZ-IN)MIN
POSITIONAL ACCURACY: ±5 % ¹ , ³	
HYSTERESIS: - %	INSULATION CLASS: B
WINDING RESISTANCE: 1.4 OHM ±10% AT 25° ⁷	BEARINGS: ABEC 3, DOUBLE SHIELDED
WINDING INDUCTANCE: 1.4 mH ± 20% ⁸	
PHASE VOLTAGE: 1.4 VDC	TEMP. RISE: 80 °C MAX. ⁹
PHASE CURRENT: 1.0 AMP (RATED)	OPERATING TEMP. RANGE: -20 TO 40°C
	STORAGE TEMP. RANGE: -40 TO 70°C
SHAFT RUNOUT: 0.025(.001) T.I.R. MAX	RELATIVE HUMIDITY RANGE: 5 TO 95 %
RADIAL PLAY: 0.025(.001) MAX W/ 0.5KG(1.1LB) LOAD.	
END PLAY: 0.075(.003) MAX W/ 1.0KG(2.2LB) LOAD.	

HT11-012

REVISIONS				
ECO NO.	REV	DESCRIPTION	DATE	APPROVED
4262	A	PRELIMINARY RELEASE	12/20/99	<i>K. Kordik</i>
4266	B	CHG P/N FROM 5011-012	1/18/00	<i>K. Kordik</i>
4275	C	CHG TEMP RISE FROM 60°C	3/7/00	<i>K. Kordik</i>
4309	D	ADD REAR SHAFT	9/26/00	<i>K. Kordik</i>
5053	E	ADD ENCDR HOLE, LNTH SHFT		
5235	F	Add EU compliance/Redrawn	8/18/05	<i>M.S.</i>
6141	G	CORRECT INSULATION CLASS	8/20/10	<i>J. Kordik</i>

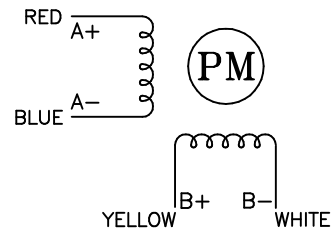
NOTES, UNLESS OTHERWISE SPECIFIED:


- ¹ MEASUREMENTS MADE AT RATED CURRENT IN EACH PHASE.
- ² BETWEEN ANY TWO ADJACENT STEP POSITIONS.
- ³ MAXIMUM ERROR IN 360°.
4. HIPOT 500 VAC, 60 Hz FOR ONE MINUTE.
5. LEADS: 4, AWG 26, 7 STRAND MIN., UL AND CSA APPROVED. UL 1007.
6. INSULATION RESISTANCE: 100 MEGOHMS MIN AT 500 VDC.
- ⁷ AS MEASURED ACROSS ANY WINDING.
- ⁸ AS MEASURED ACROSS ANY WINDING USING AN A.C. INDUCTANCE BRIDGE, AT 1KHz.
- ⁹ AS MEASURED BY THE CHANGE IN RESISTANCE METHOD, WITH RATED VOLTAGE APPLIED TO 2 PHASES; WITH MOTOR AT REST.
- ¹⁰ ADD "D" TO END OF PART NUMBER IF DOUBLE SHAFT AND ENCODER HOLES ARE REQUIRED.
11. THIS MOTOR TO BE MANUFACTURED IN COMPLIANCE WITH EU DIRECTIVE "ROHS 2002/95/EC".
12. MOTOR LABEL TO INCLUDE "ROHS" COMPLIANT.

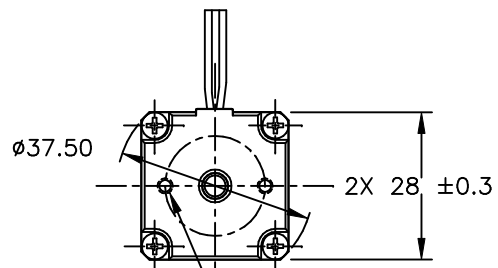
SWITCHING SEQUENCE FOR CW ROTATION
FACING MOUNTING END

STEP	RED	BLUE	YELLOW	WHITE
0	+	-	+	-
1	-	+	+	-
2	-	+	-	+
3	+	-	-	+
4	+	-	+	-

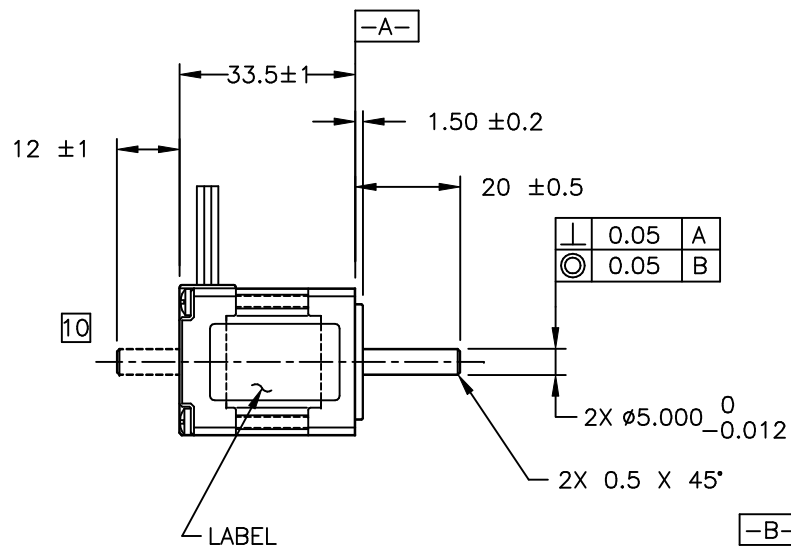
CW
↓



CONTRACT NO. CC		 APPLIED MOTION PRODUCTS, INC.			
APPROVALS	DATE	STEP MOTOR OUTLINE			
DRAWN <i>R. BARRICK</i>	12/20/99				
CHECKED <i>B. Corser</i>	12/20/99	B	COMPUTER DATA BASE DRAWING	DWG NO. HT11-012	REV G
APPROVED <i>K. Kordik</i>	12/20/99		SCALE: NONE	SHT 1 OF 2	



2X #4-40 UNC
ON A $\phi 19.05 (.750)$
BOLT CIRCLE 10

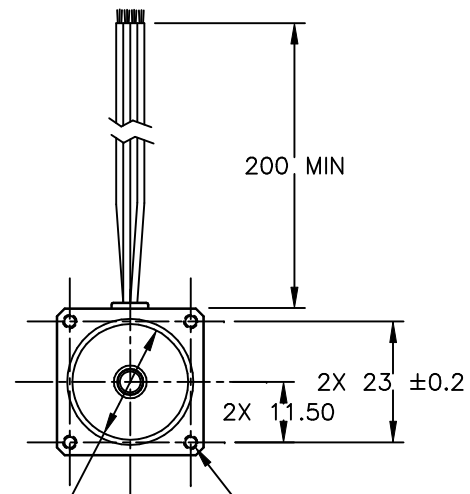


\perp	0.05	A
\odot	0.05	B


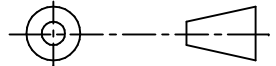
2X $\phi 5.000_{-0.012}^0$

2X 0.5 X 45°

-B-
 $\phi 22.00_{-0.03}^0$



4X M2.6 X .45
3.0 ∇ MIN

TOLERANCES		THIRD ANGLE PROJECTION		 APPLIED MOTION PRODUCTS, INC.														
DECIMALS: MM (INCH) X.XXX = ±0.01 (.005) X.XX = ±0.10 (.010) X.X = ±0.20 (.020) ANGLES: MACH. = ±5° CHAM. = ±5°						STEP MOTOR OUTLINE												
COMPUTER DATA BASE DRAWING		<table border="1"> <tr> <td>APPROVALS</td> <td>DATE</td> </tr> <tr> <td>DRAWN <i>R. BARRICK</i></td> <td>12/20/99</td> </tr> <tr> <td>CHECKED <i>B. Corser</i></td> <td>12/20/99</td> </tr> <tr> <td>APPROVED <i>K. Nordik</i></td> <td>12/20/99</td> </tr> </table>		APPROVALS	DATE			DRAWN <i>R. BARRICK</i>	12/20/99	CHECKED <i>B. Corser</i>	12/20/99	APPROVED <i>K. Nordik</i>	12/20/99	<table border="1"> <tr> <td rowspan="2" style="font-size: 2em; vertical-align: middle;">B</td> <td>DWG NO.</td> <td>REV</td> </tr> <tr> <td>HT11-012</td> <td>G</td> </tr> </table>		B	DWG NO.	REV
APPROVALS	DATE																	
DRAWN <i>R. BARRICK</i>	12/20/99																	
CHECKED <i>B. Corser</i>	12/20/99																	
APPROVED <i>K. Nordik</i>	12/20/99																	
B	DWG NO.	REV																
	HT11-012	G																
		SCALE: NONE		SHT 2 OF 2														