

SPECIFICATIONS:	
NUMBER OF PHASES: 2	ROTOR INERTIA: 82 g-cm ² (0.45 oz-in ²) NOM
STEPS PER REVOLUTION: 200	INSULATION CLASS: B
STEP ANGLE: 1.8°	TEMP. RISE: 80 °C MAX.
STEP TO STEP ACCURACY: ±0.09° [1], [2]	OPERATING TEMP. RANGE: -20 TO +50 °C [9]
POSITIONAL ACCURACY: ± 5 % [1], [3]	STORAGE TEMP. RANGE: -30 TO +70 °C
AXIAL MOVEMENT: 0.1mm MAX (100N AXIAL FORCE)	RELATIVE HUMIDITY RANGE: 15 TO 85 %
BEARING SIZE: 19*10*5 mm	WEIGHT: 0.36 kg (0.79 lb)
SHAFT MATERIAL: SUS303	

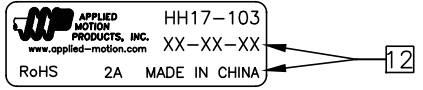
HH17-103

REVISIONS					
ECO NO.	REV	DESCRIPTION	DATE	APPROVED	
7068	A	PRELIMINARY RELEASE	10/24/14	D.MACLEOD	
7446	B	REVISE NOTE 11	6/6/16	J.KORDIK	
8359	C	1ST ANGLE TO 3RD	10/31/19	J.KORDIK	
—	—	—	—	—	
—	—	—	—	—	
—	—	—	—	—	
—	—	—	—	—	
—	—	—	—	—	
—	—	—	—	—	
—	—	—	—	—	
—	—	—	—	—	
—	—	—	—	—	
—	—	—	—	—	
—	—	—	—	—	
—	—	—	—	—	

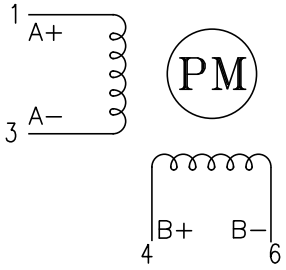
SPECIFICATION	[7]	[8]	[1]	[1]	
CONNECTION	RESISTANCE PER PHASE (ohm ±10%)	INDUCTANCE PER PHASE (mH ±20%)	RATED CURRENT (amp)	HOLDING TORQUE (Nm MIN)	HOLDING TORQUE (oz-in Min)
BI-POLAR SERIES	1.3	3	2	0.63	89.2

- NOTES, UNLESS OTHERWISE SPECIFIED:
- [1] MEASUREMENTS MADE AT RATED CURRENT IN EACH PHASE.
 - [2] BETWEEN ANY TWO ADJACENT FULL STEP POSITIONS.
 - [3] MAXIMUM ERROR IN 360°.
 - 4 HIPOT 500 VAC, 60 Hz FOR ONE MINUTE.
 - [5] CONNECTOR: JSTS6B-PH-K(LF)(SN)
 - 6 INSULATION RESISTANCE: 100 MEGOHMS MIN AT 500 VDC.
 - [7] AS MEASURED ACROSS EACH PHASE.
 - [8] AS MEASURED ACROSS EACH PHASE USING AN A.C. INDUCTANCE BRIDGE AT 1 KHz.
 - [9] AS MEASURED BY THE CHANGE IN RESISTANCE METHOD, WITH RATED CURRENT APPLIED TO 2 PHASES; WITH MOTOR AT REST.
 - 10 ROTOR & STATOR LAMINATED CONSTRUCTION.
 - 11 THIS MOTOR IS MANUFACTURED IN COMPLIANCE WITH THE CURRENT EU RoHS DIRECTIVE.
 - [12] MOTOR LABEL TO INCLUDE "ROHS" COMPLIANT, AMP P/N, 'MADE IN (COUNTRY OF ORIGIN)', AND DATE CODE.
 - 13 HIGH TORQUE MOTOR DESIGN.

LABEL DETAIL



PHASE DETAIL

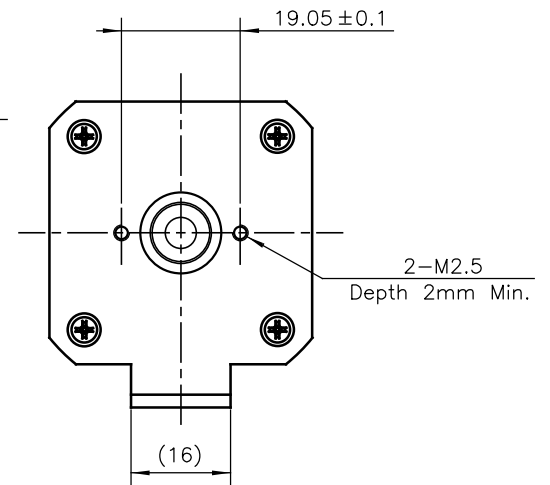
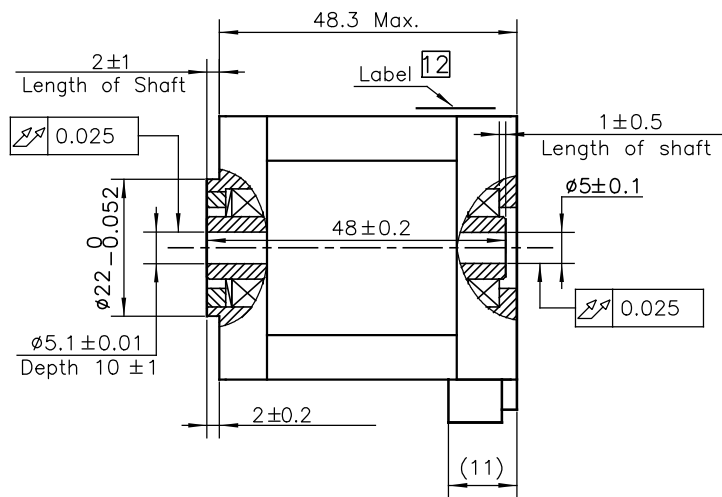
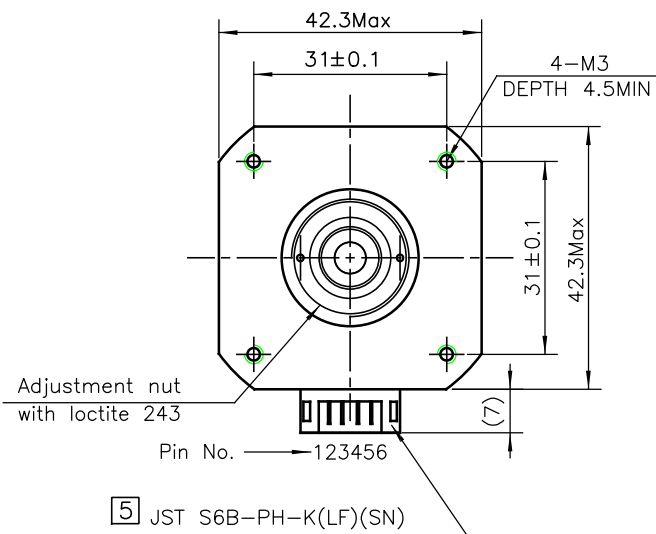


FULL STEP SWITCHING SEQUENCE
BI-POLAR, FACING MOUNTING END

STEP	A+	A-	B+	B-
0	+	-	+	-
1	-	+	+	-
2	-	+	-	+
3	+	-	-	+
4	+	-	+	-

CW ↑ CCW

CONTRACT NO. —		APPLIED MOTION PRODUCTS, INC.			
APPROVALS	DATE	<h1>STEP MOTOR OUTLINE</h1>			
DRAWN K.KESLER	10/31/19				
CHECKED R.JONEZ	10/31/19				
APPROVED J.KORDIK	10/31/19				
APPROVED —	—				
		B	COMPUTER DATA BASE DRAWING	DWG NO. HH17-103	REV C
		SCALE: NONE	SHEET 1 OF 2		



*ALL DIMENSIONS IN MM

TOLERANCES		THIRD ANGLE PROJECTION		APPLIED MOTION PRODUCTS, INC.		
DECIMALS: MM						
X.XX = ±0.13						
X.X = ±0.25		APPROVALS	DATE	STEP MOTOR OUTLINE		
X = ±0.5		DRAWN				
ANGLES:		CHECKED				
MACH. = ±0.5°		APPROVED				
CHAM. = ±5°				B	DWG NO. HH17-103	REV C
COMPUTER DATA BASE DRAWING				SCALE: NONE		SHEET 2 OF 2