

SPECIFICATIONS:

NUMBER OF PHASES: 2	ROTOR INERTIA: 82 g-cm ² (0.45 oz-in ²) NOM
STEPS PER REVOLUTION: 200	INSULATION CLASS: B
STEP ANGLE: 1.8°	TEMP. RISE: 80 °C MAX.
STEP TO STEP ACCURACY: ±0.09° [1], [2]	OPERATING TEMP. RANGE: -20 TO +50 °C [9]
POSITIONAL ACCURACY: ± 5 % [1], [3]	STORAGE TEMP. RANGE: -30 TO +70 °C
AXIAL MOVEMENT: 0.1mm MAX (100N AXIAL FORCE)	RELATIVE HUMIDITY RANGE: 15 TO 85 %
BEARING SIZE: 19*10*5 mm	WEIGHT: 0.36 kg (0.79 lb)
SHAFT MATERIAL: SUS303	

HH17-103

REVISIONS

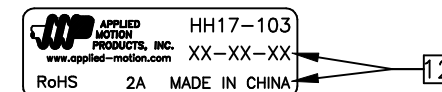
ECO NO.	REV	DESCRIPTION	DATE	APPROVED
7068	A	PRELIMINARY RELEASE	10/24/14	D.MACLEOD
7446	B	REVISE NOTE 11	6/6/16	J KORDIK
-	-	-	-	-
-	-	-	-	-
-	-	-	-	-
-	-	-	-	-
-	-	-	-	-
-	-	-	-	-
-	-	-	-	-
-	-	-	-	-
-	-	-	-	-
-	-	-	-	-

SPECIFICATION	[7]	[8]	[1]	[1]
	RESISTANCE PER PHASE (ohm ±10%)	INDUCTANCE PER PHASE (mH ±20%)	RATED CURRENT (amp)	HOLDING TORQUE (Nm MIN)
CONNECTION				HOLDING TORQUE (oz-in Min)
BI-POLAR SERIES	1.3	3	2	0.63
				89.2

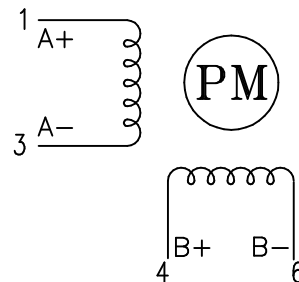
NOTES, UNLESS OTHERWISE SPECIFIED:

- [1] MEASUREMENTS MADE AT RATED CURRENT IN EACH PHASE.
- [2] BETWEEN ANY TWO ADJACENT FULL STEP POSITIONS.
- [3] MAXIMUM ERROR IN 360°.
- 4 HIPOT 500 VAC, 60 Hz FOR ONE MINUTE.
- [5] CONNECTOR: JSTS6B-PH-K(LF)(SN)
- 6 INSULATION RESISTANCE: 100 MEGOHMS MIN AT 500 VDC.
- [7] AS MEASURED ACROSS EACH PHASE.
- [8] AS MEASURED ACROSS EACH PHASE USING AN A.C. INDUCTANCE BRIDGE AT 1 KHz.
- [9] AS MEASURED BY THE CHANGE IN RESISTANCE METHOD, WITH RATED CURRENT APPLIED TO 2 PHASES; WITH MOTOR AT REST.
- 10 ROTOR & STATOR LAMINATED CONSTRUCTION.
- 11 THIS MOTOR IS MANUFACTURED IN COMPLIANCE WITH THE CURRENT EU RoHS DIRECTIVE.
- [12] MOTOR LABEL TO INCLUDE "ROHS" COMPLIANT, AMP P/N, 'MADE IN (COUNTRY OF ORIGIN)', AND DATE CODE.
- 13 HIGH TORQUE MOTOR DESIGN.

LABEL DETAIL



PHASE DETAIL

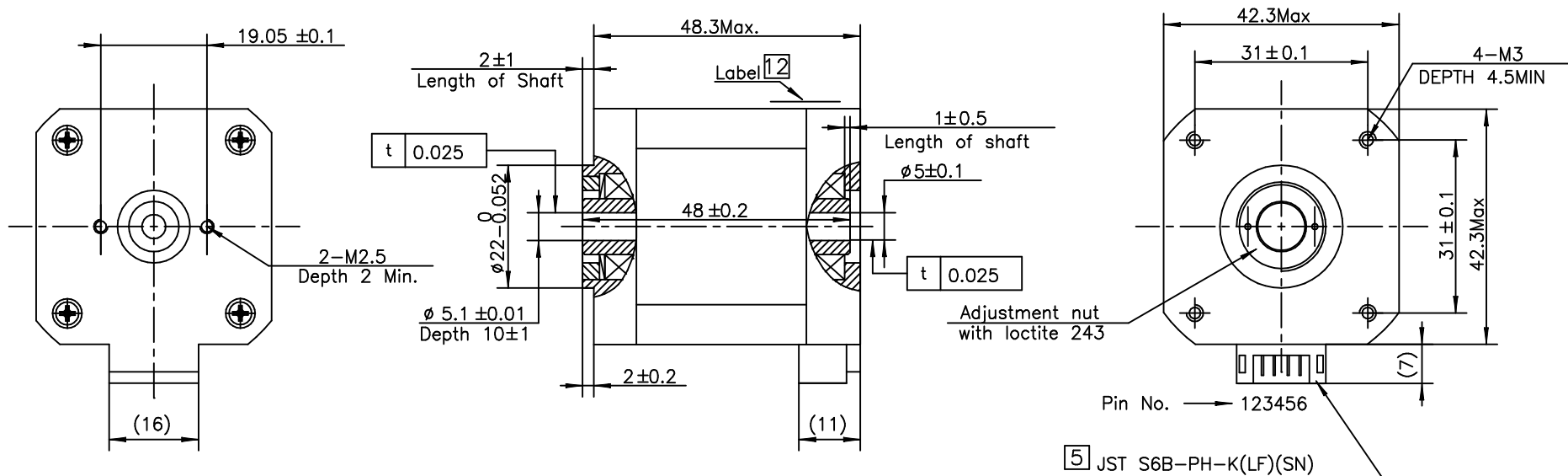


FULL STEP SWITCHING SEQUENCE
BI-POLAR, FACING MOUNTING END

STEP	A+	A-	B+	B-	
0	+	-	+	-	CCW ↑
1	-	+	+	-	
2	-	+	-	+	
3	+	-	-	+	
4	+	-	+	-	

CW ↓

CONTRACT NO. -		APPLIED MOTION PRODUCTS, INC.			
APPROVALS	DATE	STEP MOTOR OUTLINE			
DRAWN K.KESLER	10/16/14				
CHECKED R.JONEZ		B	COMPUTER DATA BASE DRAWING	DWG NO. HH17-103	REV B
APPROVED -	-		SCALE: NONE	SHEET 1 OF 2	



*ALL DIMENSIONS IN MM

TOLERANCES DECIMALS: MM X.XX = ± 0.13 X.X = ± 0.25 X = ± 0.5 ANGLES: MACH. = $\pm 0.5^\circ$ CHAM. = $\pm 5^\circ$	FIRST ANGLE PROJECTION 			
	APPROVALS DRAWN CHECKED APPROVED	DATE 10/16/14	STEP MOTOR OUTLINE	
COMPUTER DATA BASE DRAWING	APPROVED -	DATE -	SCALE: NONE	SHEET 2 OF 2

STEP MOTOR OUTLINE

B DWG NO. HH17-103 REV B