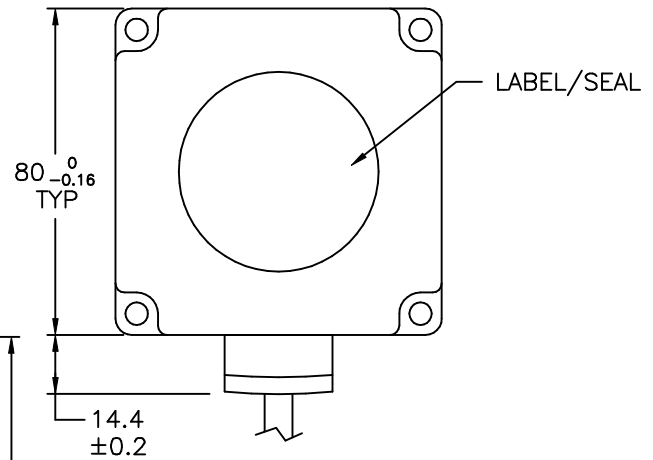
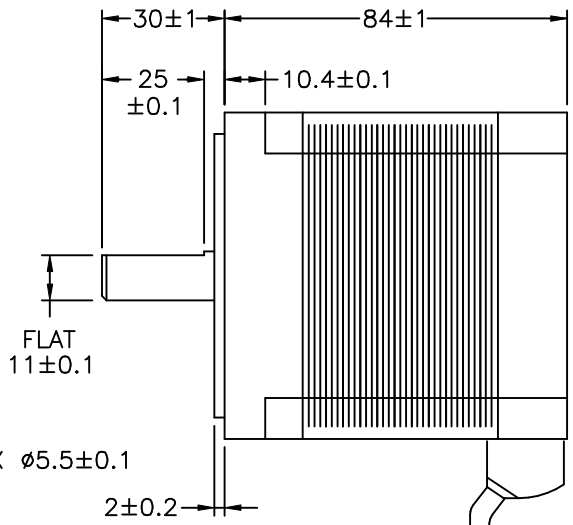
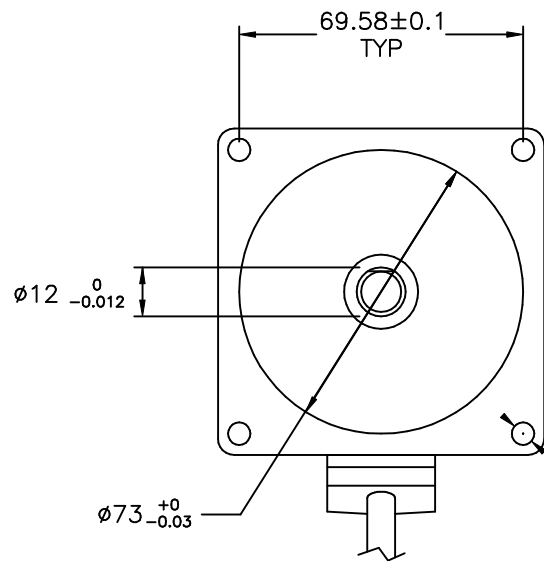
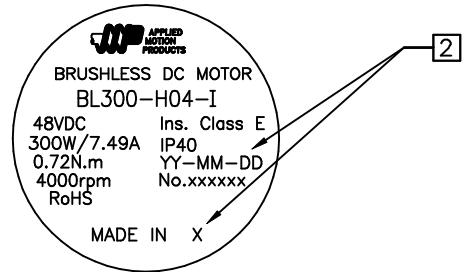


REVISIONS				
REV	ECO	DESCRIPTION	DATE	APPROVED
A	6852	INITIAL RELEASE	12/11/13	J KORDIK
B	6904	SPEC CHANGES	1/29/14	J KORDIK
C	7452	REVISE RoHS NOTE	6/14/16	J KORDIK



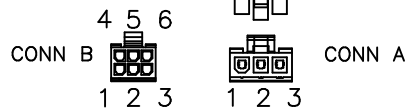
**LABEL/SEAL DETAIL**



PVC TUBING  
HEAT SHRINK

CONNECTOR: MOLEX 43025-0600 (BLK)  
TERMINALS: MOLEX 43030-0005

CONNECTOR: MOLEX 39-01-4031(WHT)  
TERMINALS: MOLEX 39-00-0207



MOTOR CONNECTIONS				
WIRE COLOR	FUNCTION	CONNECTOR	PIN#	AWG
ORANGE	U	CONN A	2	16
YELLOW	V	CONN A	3	16
BLUE	W	CONN A	1	16
ORANGE	HU	CONN B	6	24
BLUE	HW	CONN B	4	24
YELLOW	HV	CONN B	3	24
BLACK	GND	CONN B	5	24
RED	VCC (+5V)	CONN B	1	24
-	N/C	CONN B	2	-

TOLERANCES	THIRD ANGLE PROJECTION
DECIMALS: MM (INCH) X.XXX = ± (.005) X.XX = ±0.13 (.010) X.X = ±0.25 (.020)	
ANGLES: MACH. = ±.5° CHAM. = ±5°	APPROVALS
COMPUTER DATA BASE DRAWING	DATE
	DRAWN: <i>R. JONEZ</i>
	CHECKED: <i>R. BARRICK</i>
	APPROVED
	DATE: 9/30/13
	DATE: 12/11/13

**APPLIED MOTION PRODUCTS, INC.**

**BRUSHLESS DC MOTOR OUTLINE**

B DWG NO. **BL300-H04-I** REV **C**

SCALE: NONE SHEET 1 OF 2

BRUSHLESS DC MOTOR SPECIFICATION:

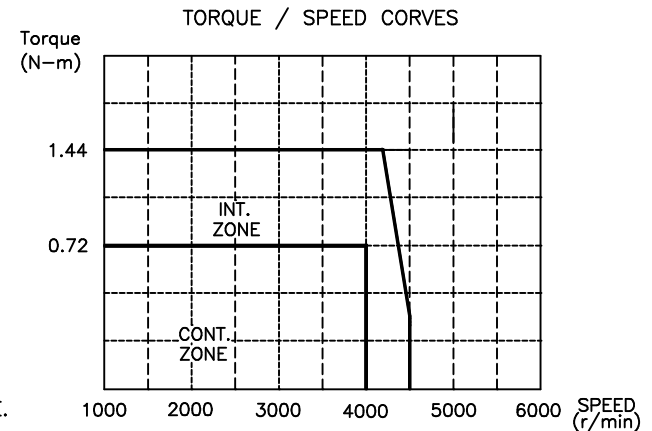
ITEM	UNIT	SPEC
RATED OUTPUT:	W	300
RATED TORQUE:	N-m (kgf-cm)	0.72(7.34)
TORQUE CONSTANT:	mN-m/A	94.9
RATED SPEED:	r/min	4000
MAXIMUM SPEED:	r/min	4500
ROTOR MOMENT OF INERTIA:	Kg-m <sup>2</sup>	1.08X10 <sup>-4</sup>
INSULATION CLASS:	120°C	E


ITEM	UNIT	SPEC
VOLTAGE RATING:	VDC	48
RATED WINDING CURRENT: E.D.C.M	A (rms)	7.49
PEAK CURRENT: E.D.C.M	A (rms) ±10%	14.98
VOLTAGE CONSTANT: E.D.C.M	V/krpm ±10%	7.03
WINDING RESISTANCE: E.D.C.M	V ±10%	0.20
WINDING INDUCTANCE: E.D.C.M	mH ±30%	0.47
PROTECTIVE ENCLOSURE RATING		IP40

PERMANENT MAGNET 8 POLES, 3 PHASE DELTA CONNECTED MOTOR
WEIGHT: 2.56 kg (5.64 lbs)

NOTES, UNLESS OTHERWISE SPECIFIED:

- THIS MOTOR IS MANUFACTURED IN COMPLIANCE WITH THE CURRENT EU RoHS DIRECTIVE.
- MOTOR LABEL TO INCLUDE "ROHS" COMPLIANT, 'MADE IN (COUNTRY OF ORIGIN)' AND DATE CODE.



CONTRACT NO.		 <b>APPLIED MOTION PRODUCTS, INC.</b>	
APPROVALS	DATE	<b>BRUSHLESS DC MOTOR ELECTRICAL SPECS</b>	
DRAWN <i>R. JONEZ</i>	<i>9/30/13</i>		
CHECKED <i>R. BARRICK</i>	<i>12/11/13</i>	<b>B</b>	FSCM NO.
APPROVED			DWG NO. BL300-H04-I
APPROVED		SCALE: NONE	SHEET 2 OF 2