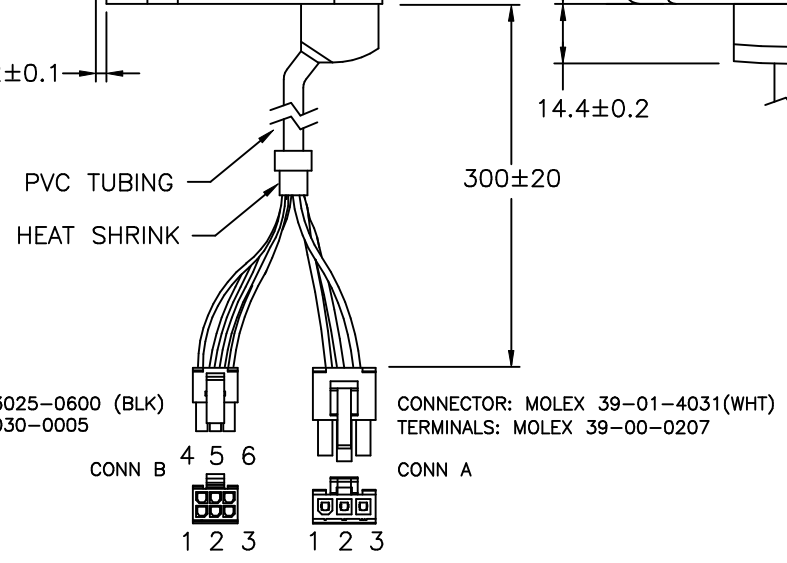
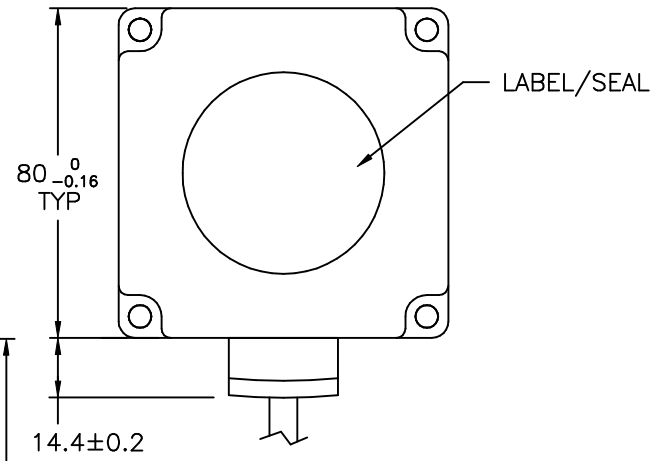
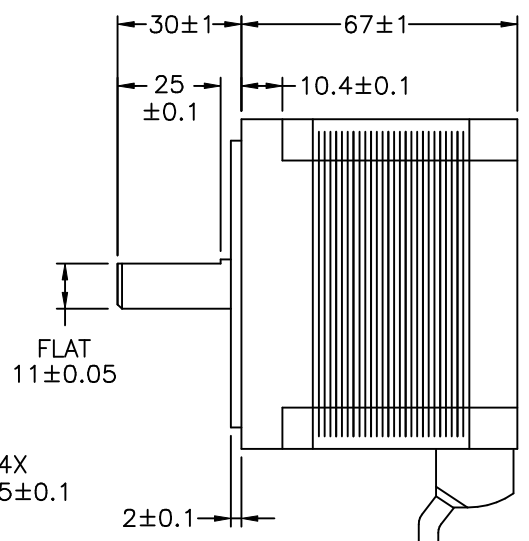
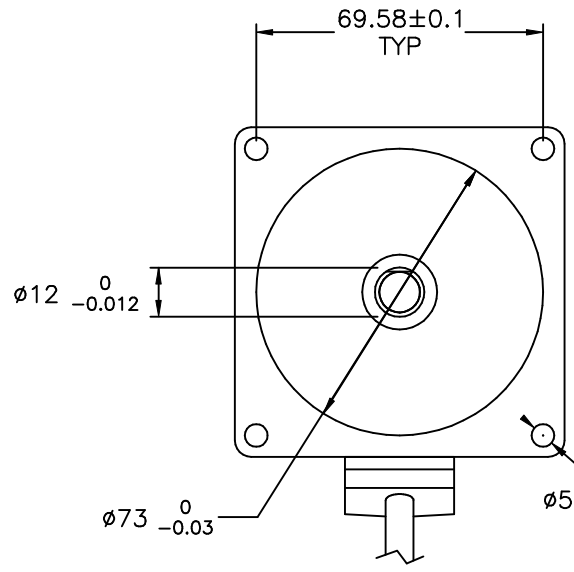


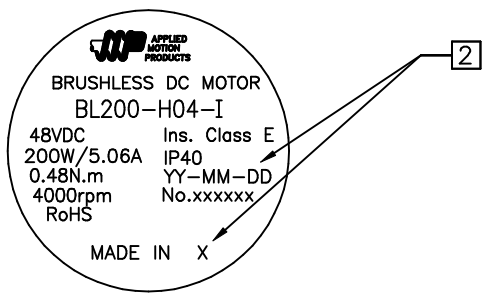
REVISIONS				
REV	ECCO	DESCRIPTION	DATE	APPROVED
A	6920	INITIAL RELEASE	2/19/14	J Kordik
B	7452	REVISE RoHS NOTE	6/14/16	J Kordik



CONNECTOR: MOLEX 43025-0600 (BLK)  
 TERMINALS: MOLEX 43030-0005

CONNECTOR: MOLEX 39-01-4031(WHT)  
 TERMINALS: MOLEX 39-00-0207

**LABEL/SEAL DETAIL**



MOTOR CONNECTIONS				
WIRE COLOR	FUNCTION	CONNECTOR	PIN#	AWG
ORANGE	U	CONN A	2	18
YELLOW	V	CONN A	3	18
BLUE	W	CONN A	1	18
ORANGE	HU	CONN B	6	24
BLUE	HW	CONN B	4	24
YELLOW	HV	CONN B	3	24
BLACK	GND	CONN B	5	24
RED	VCC (+5V)	CONN B	1	24
-	N/C	CONN B	2	-

TOLERANCES	THIRD ANGLE PROJECTION
DECIMALS: MM (INCH) X.XXX = ± (.005) X.XX = ±0.25 (.010) X.X = ±0.50 (.020) ANGLES: MACH. = ±.5° CHAM. = ±5°	
APPROVALS DRAWN: <i>R.JONEZ</i> CHECKED:	DATE 2/19/14
COMPUTER DATA BASE DRAWING	APPROVED

APPLIED MOTION PRODUCTS, INC.

## BRUSHLESS DC MOTOR OUTLINE

B	DWG NO. BL200-H04-I	REV B
SCALE: NONE		SHEET 1 OF 2

BRUSHLESS DC MOTOR SPECIFICATION:

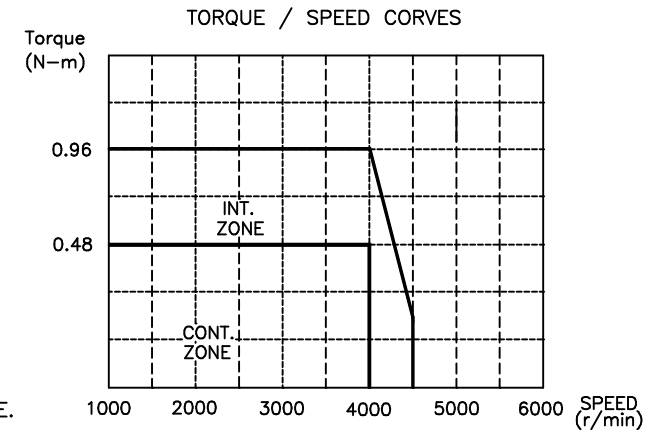
ITEM	UNIT	SPEC
RATED OUTPUT:	W	200
RATED TORQUE:	N-m (kgf-cm)	0.48(4.89)
TORQUE CONSTANT:	mN-m/A	-
RATED SPEED:	r/min	4000
MAXIMUM SPEED:	r/min	4500
ROTOR MOMENT OF INERTIA:	Kg-m <sup>2</sup>	0.74X10 <sup>-4</sup>
INSULATION CLASS:	120°C	E


ITEM	UNIT	SPEC
VOLTAGE RATING:	VDC	48
RATED WINDING CURRENT: E.D.C.M	A (rms)	5.06
PEAK CURRENT: E.D.C.M	A (rms) ±10%	-
VOLTAGE CONSTANT: E.D.C.M	V/krpm ±10%	6.76
WINDING RESISTANCE: E.D.C.M	V ±10%	0.320
WINDING INDUCTANCE: E.D.C.M	mH ±30%	0.70
PROTECTIVE ENCLOSURE RATING		IP40

PERMANENT MAGNET 8 POLES, 3 PHASE DELTA CONNECTED MOTOR  
 WEIGHT: 1.56 kg (3.43 lbs)

NOTES, UNLESS OTHERWISE SPECIFIED:

- THIS MOTOR IS MANUFACTURED IN COMPLIANCE WITH THE CURRENT EU RoHS DIRECTIVE.
- MOTOR LABEL TO INCLUDE "ROHS" COMPLIANT, 'MADE IN (COUNTRY OF ORIGIN)' AND DATE CODE.



CONTRACT NO.		 <b>APPLIED MOTION PRODUCTS, INC.</b>			
APPROVALS	DATE	<b>BRUSHLESS DC MOTOR ELECTRICAL SPECS</b>			
DRAWN <i>R.JONEZ</i>	<i>2/19/14</i>				
CHECKED		<b>B</b>	FSCM NO.	DWG NO. BL200-H04-I	<b>B</b>
APPROVED			SCALE: NONE		
APPROVED				SHEET 2 OF 2	