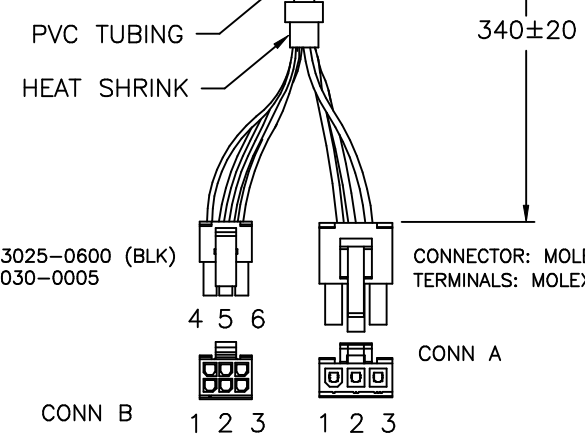
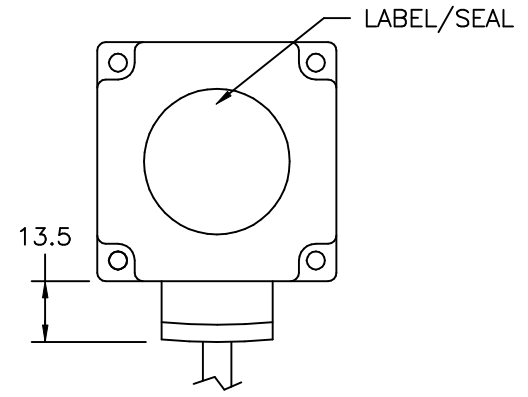
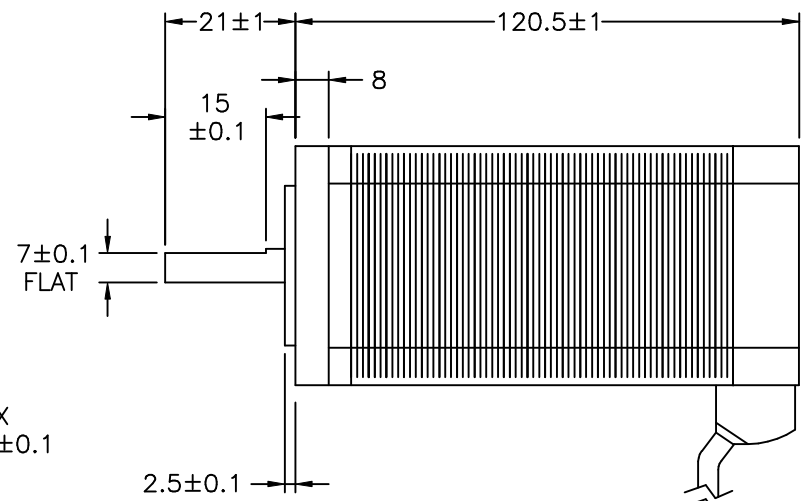
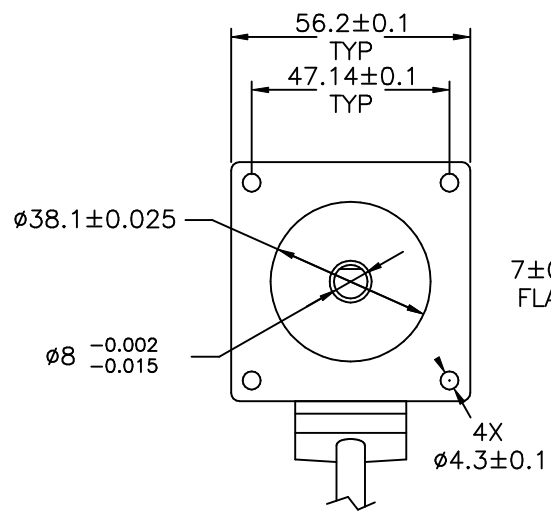


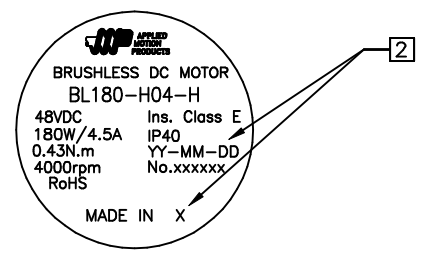
REVISIONS				
REV	ECO	DESCRIPTION	DATE	APPROVED
A	6852	INITIAL RELEASE	12/11/13	J KORDIK
B	6904	SPEC CHANGES	1/29/14	J KORDIK
C	7452	REVISE RoHS NOTE	6/14/16	J KORDIK



CONNECTOR: MOLEX 43025-0600 (BLK)  
TERMINALS: MOLEX 43030-0005

CONNECTOR: MOLEX 39-01-4031(WHT)  
TERMINALS: MOLEX 39-00-0207

LABEL/SEAL DETAIL



MOTOR CONNECTIONS				
WIRE COLOR	FUNCTION	CONNECTOR	PIN#	AWG
ORANGE	U	CONN A	2	20
YELLOW	V	CONN A	3	20
BLUE	W	CONN A	1	20
ORANGE	HU	CONN B	6	24
BLUE	HW	CONN B	4	24
YELLOW	HV	CONN B	3	24
BLACK	GND	CONN B	5	24
RED	VCC (+5V)	CONN B	1	24
-	N/C	CONN B	2	-

TOLERANCES	THIRD ANGLE PROJECTION	
DECIMALS: MM (INCH) X.XXX = ± (.005) X.XX = ±0.13 (.010) X.X = ±0.25 (.020)		
ANGLES: MACH. = ±.5° CHAM. = ±5°	APPROVALS	DATE
COMPUTER DATA BASE DRAWING	DRAWN <i>R.JONEZ</i>	<i>9/30/13</i>
	CHECKED <i>R.BARRICK</i>	<i>12/11/13</i>
	APPROVED	

**APPLIED MOTION PRODUCTS, INC.**

BRUSHLESS DC MOTOR OUTLINE

B	DWG NO. <b>BL180-H04-H</b>	REV <b>C</b>
SCALE: NONE		SHEET 1 OF 2

BRUSHLESS DC MOTOR SPECIFICATION:

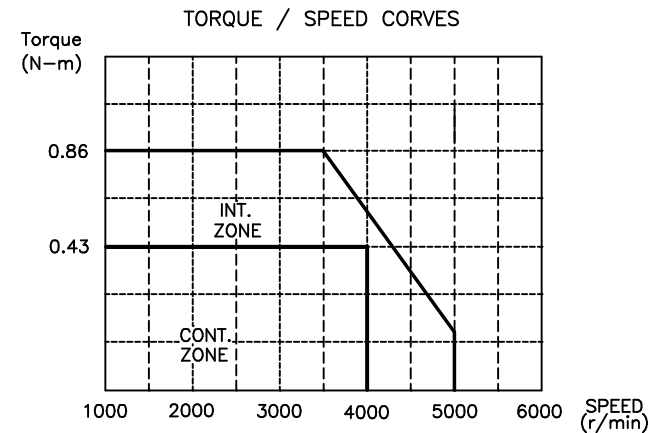
ITEM	UNIT	SPEC
RATED OUTPUT:	W	180
RATED TORQUE:	N-m (kgf-cm)	0.43(4.38)
TORQUE CONSTANT:	mN-m/A	87.1
RATED SPEED:	r/min	4000
MAXIMUM SPEED:	r/min	5000
ROTOR MOMENT OF INERTIA:	Kg-m <sup>2</sup>	4.5647X10 <sup>-5</sup>
INSULATION CLASS:	120°C	E


ITEM	UNIT	SPEC
VOLTAGE RATING:	VDC	48
RATED WINDING CURRENT: E.D.C.M	A (rms)	4.5
PEAK CURRENT: E.D.C.M	A (rms) ±10%	9
VOLTAGE CONSTANT: E.D.C.M	V/krpm ±10%	6.45
WINDING RESISTANCE: E.D.C.M	V ±10%	0.44
WINDING INDUCTANCE: E.D.C.M	mH ±30%	0.54
PROTECTIVE ENCLOSURE RATING		IP40

PERMANENT MAGNET 8 POLES, 3 PHASE DELTA CONNECTED MOTOR  
 WEIGHT: 1.7 kg (3.75 lbs)

NOTES, UNLESS OTHERWISE SPECIFIED:

- THIS MOTOR IS MANUFACTURED IN COMPLIANCE WITH THE CURRENT EU RoHS DIRECTIVE.
- MOTOR LABEL TO INCLUDE "ROHS" COMPLIANT, 'MADE IN (COUNTRY OF ORIGIN)' AND DATE CODE.



CONTRACT NO.		 <b>APPLIED MOTION PRODUCTS, INC.</b>			
APPROVALS	DATE	<b>BRUSHLESS DC MOTOR ELECTRICAL SPECS</b>			
DRAWN <i>R. JONEZ</i>	<i>9/30/13</i>				
CHECKED <i>R. BARRICK</i>	<i>12/11/13</i>				
APPROVED					
APPROVED		B	FSCM NO.	DWG NO. BL180-H04-H	C
APPROVED		SCALE: NONE	SHEET 2 OF 2		