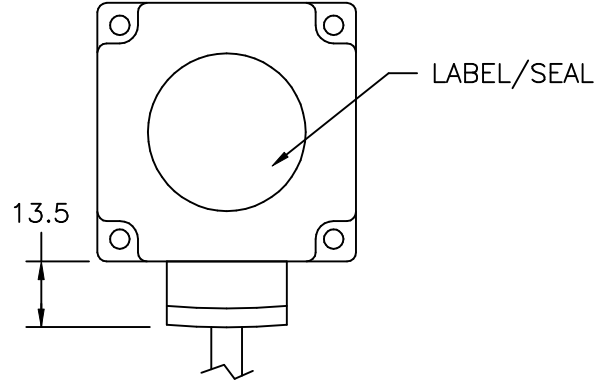
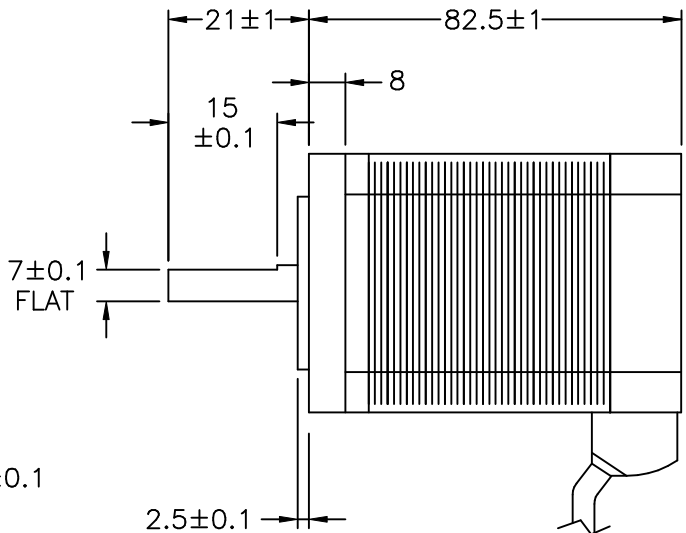
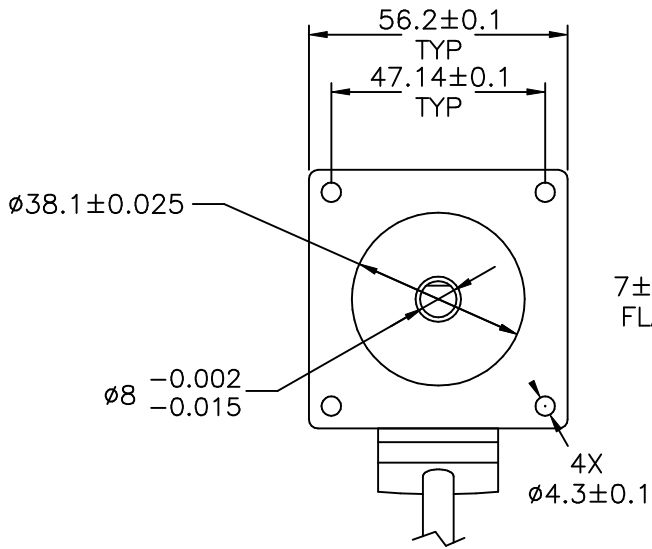
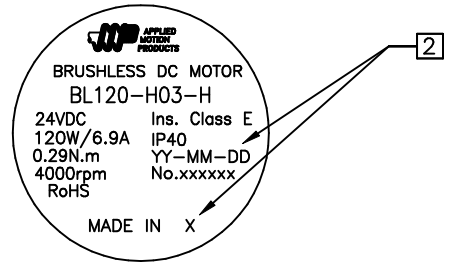


REVISIONS				
REV	ECO	DESCRIPTION	DATE	APPROVED
A	6852	INITIAL RELEASE	12/11/13	J KORDIK
B	6904	SPEC CHANGES	1/29/14	J KORDIK
C	7452	REVISE RoHS NOTE	6/14/16	J KORDIK

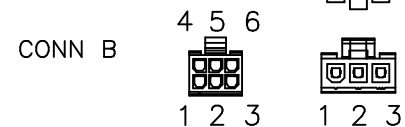


LABEL/SEAL DETAIL



CONNECTOR: MOLEX 43025-0600 (BLK)
TERMINALS: MOLEX 43030-0005

CONNECTOR: MOLEX 39-01-4031(WHT)
TERMINALS: MOLEX 39-00-0207



MOTOR CONNECTIONS				
WIRE COLOR	FUNCTION	CONNECTOR	PIN#	AWG
ORANGE	U	CONN A	2	18
YELLOW	V	CONN A	3	18
BLUE	W	CONN A	1	18
ORANGE	HU	CONN B	6	24
BLUE	HW	CONN B	4	24
YELLOW	HV	CONN B	3	24
BLACK	GND	CONN B	5	24
RED	VCC (+5V)	CONN B	1	24
-	N/C	CONN B	2	-

TOLERANCES	THIRD ANGLE PROJECTION
DECIMALS: MM (INCH) X.XXX = ± (.005) X.XX = ±0.13 (.010) X.X = ±0.25 (.020)	
ANGLES: MACH. = ±.5° CHAM. = ±5°	APPROVALS
COMPUTER DATA BASE DRAWING	DATE
	DRAWN: R.JONEZ
	CHECKED: R.BARRICK
	APPROVED
	9/30/13
	12/11/13

APPLIED MOTION PRODUCTS, INC.

BRUSHLESS DC MOTOR OUTLINE

B DWG NO. BL120-H03-H REV C

SCALE: NONE SHEET 1 OF 2

BRUSHLESS DC MOTOR SPECIFICATION:

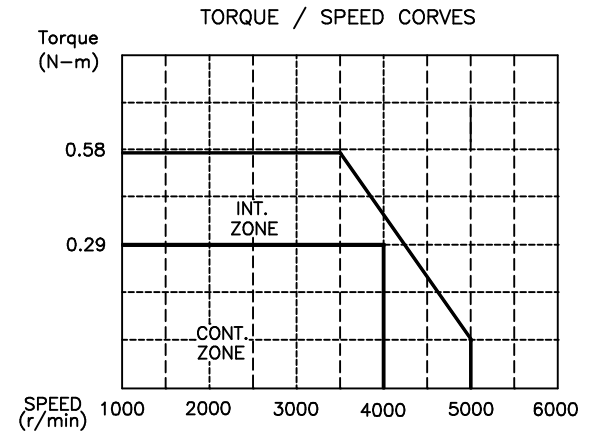
ITEM	UNIT	SPEC
RATED OUTPUT:	W	120
RATED TORQUE:	N-m (kgf-cm)	0.29(2.95)
TORQUE CONSTANT:	mN-m/A	40.5
RATED SPEED:	r/min	4000
MAXIMUM SPEED:	r/min	5000
ROTOR MOMENT OF INERTIA:	Kg-m ²	2.788X10 ⁻⁵
INSULATION CLASS:	120°C	E


ITEM	UNIT	SPEC
VOLTAGE RATING:	VDC	24
RATED WINDING CURRENT: E.D.C.M	A (rms)	6.9
PEAK CURRENT: E.D.C.M	A (rms) ±10%	13.8
VOLTAGE CONSTANT: E.D.C.M	V/krpm ±10%	3.00
WINDING RESISTANCE: E.D.C.M	Ω ±10%	0.18
WINDING INDUCTANCE: E.D.C.M	mH ±30%	0.18
PROTECTIVE ENCLOSURE RATING		IP40

PERMANENT MAGNET 8 POLES, 3 PHASE DELTA CONNECTED MOTOR
 WEIGHT: 1.08 kg (2.38 lbs)

NOTES, UNLESS OTHERWISE SPECIFIED:

- THIS MOTOR IS MANUFACTURED IN COMPLIANCE WITH THE CURRENT EU RoHS DIRECTIVE.
- MOTOR LABEL TO INCLUDE "ROHS" COMPLIANT, 'MADE IN (COUNTRY OF ORIGIN)' AND DATE CODE.



CONTRACT NO.		 APPLIED MOTION PRODUCTS, INC.		
APPROVALS	DATE	BRUSHLESS DC MOTOR ELECTRICAL SPECS		
DRAWN				
CHECKED				
APPROVED				
		B	FSCM NO.	DWG NO.
				BL120-H03-H
APPROVED				C
		SCALE: NONE	SHEET 2 OF 2	