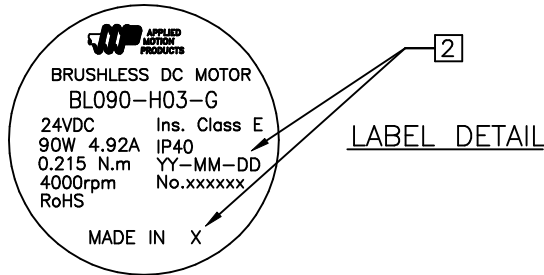
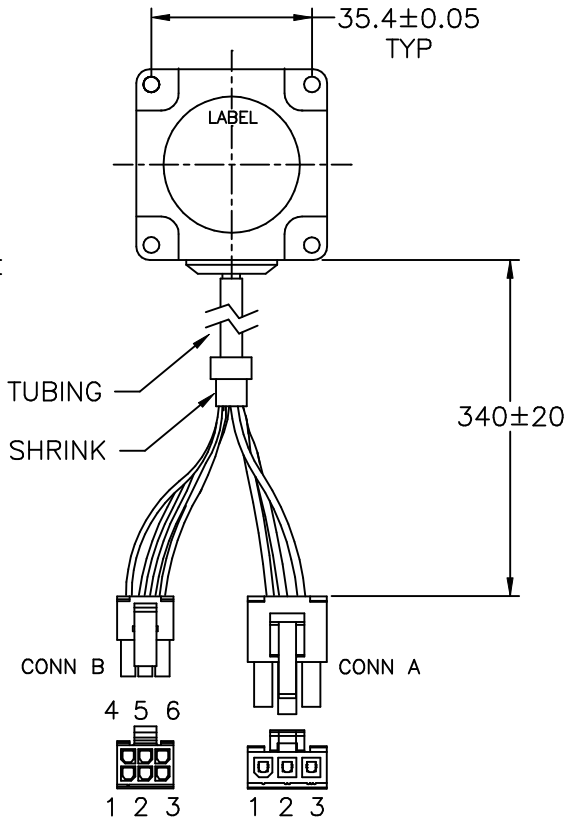
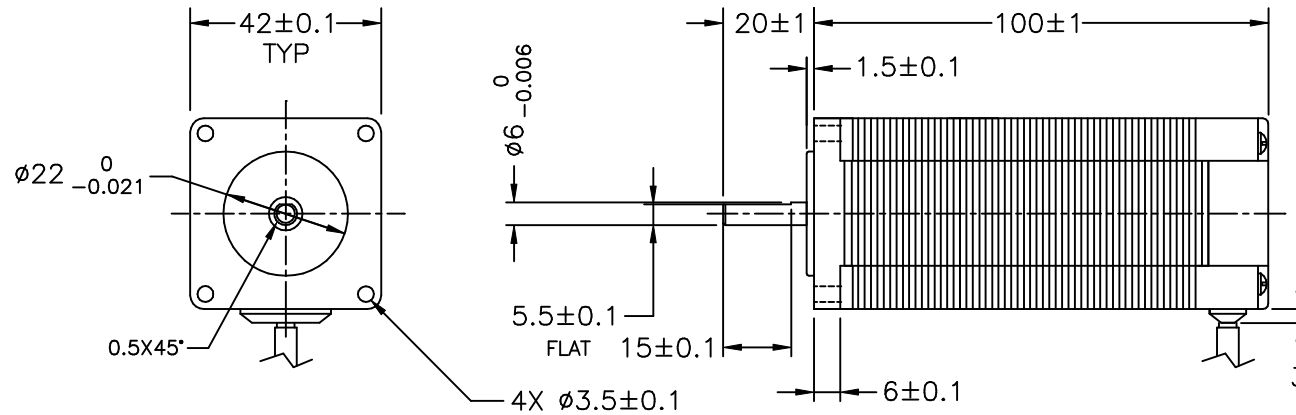


REVISIONS				
REV	ECO	DESCRIPTION	DATE	APPROVED
A	6594	INITIAL RELEASE	10/8/12	J KORDIK
B	6631	REVISED SPECS	12/6/12	J KORDIK
C	6852	REVISED DIMS/CONN/SPECS/PN	12/11/13	J KORDIK
D	7452	REVISED RoHS NOTE	6/14/16	J KORDIK



MOTOR CONNECTIONS				
AWG	COLOR	FUNCTION	CONNECTOR	PIN#
20	ORANGE	U	CONN A	2
20	YELLOW	V	CONN A	3
20	BLUE	W	CONN A	1
24	ORANGE	HU	CONN B	6
24	BLUE	HW	CONN B	4
24	YELLOW	HV	CONN B	3
24	BLACK	GND	CONN B	5
24	RED	VCC (+5V)	CONN B	1
-	-	N/C	CONN B	2

CONNECTOR: MOLEX 43025-0600 (BLK)
TERMINALS: MOLEX 43030-0005

CONNECTOR: MOLEX 39-01-4031(WHT)
TERMINALS: MOLEX 39-00-0207

TOLERANCES		THIRD ANGLE PROJECTION		APPLIED MOTION PRODUCTS, INC.	
DECIMALS: MM (INCH) X.XXX = ± (.005) X.XX = ± 0.13 (.010) X.X = ± 0.25 (.020)				BRUSHLESS DC MOTOR OUTLINE	
ANGLES: MACH. = ± 5° CHAM. = ± 5°		APPROVALS DATE			
COMPUTER DATA BASE DRAWING		DRAWN R. JONEZ 9/6/12		B DWG NO. BL090-H03-G REV D	
		CHECKED R. BARRICK 12/11/13		SCALE: NONE SHEET 1 OF 2	
		APPROVED			

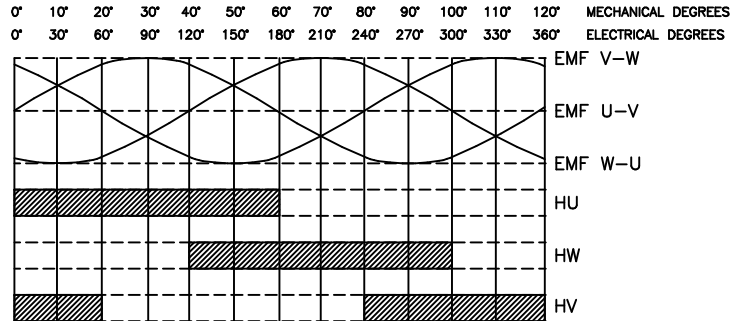
BRUSHLESS DC MOTOR SPECIFICATION:

ITEM	UNIT	SPEC
RATED OUTPUT:	W	90
RATED TORQUE:	N-m (kgf-cm)	0.215(2.19)
RATED SPEED:	r/min	4000
MAXIMUM SPEED:	r/min	5000
ROTOR MOMENT OF INERTIA:	kg-m ²	0.114X10 ⁻⁴
INSULATION CLASS:	120°C	E

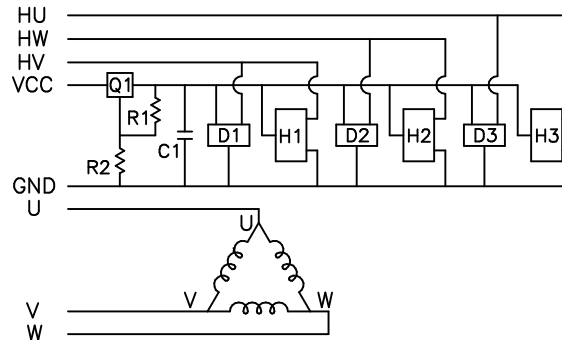
ITEM	UNIT	SPEC
VOLTAGE RATING:	VDC	24
RATED WINDING CURRENT: E.D.C.M	A (rms)	4.92
VOLTAGE CONSTANT: E.D.C.M	V/krpm ±10%	3.00
WINDING RESISTANCE: E.D.C.M	V ±10%	0.40
WINDING INDUCTANCE: E.D.C.M	mH ±30%	0.37
PROTECTIVE ENCLOSURE RATING		IP40

PERMANENT MAGNET 6 POLES, 3 PHASE DELTA CONNECTED MOTOR
 WEIGHT: 0.83 kg (1.82 lbs)

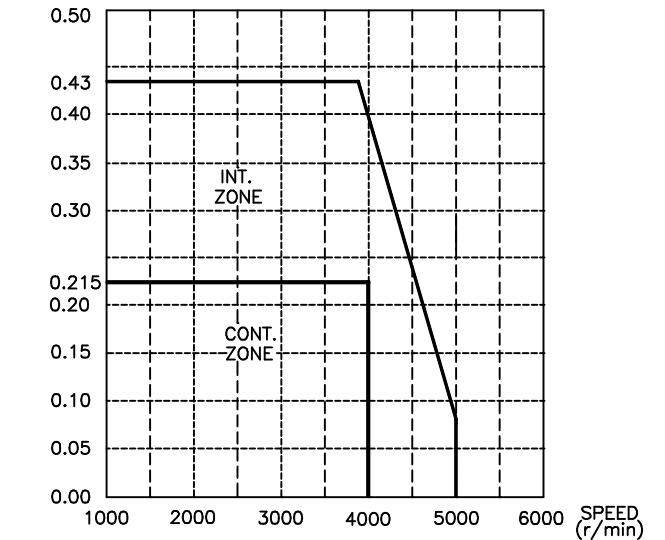
RELATION BETWEEN PHASE EMFS AND HALL SENSOR OUTPUTS AT CW



ELECTRIC DIAGRAM




Torque (N-m) TORQUE / SPEED CURVES



NOTES, UNLESS OTHERWISE SPECIFIED:

- THIS MOTOR IS MANUFACTURED IN COMPLIANCE WITH THE CURRENT EU RoHS DIRECTIVE.
- MOTOR LABEL TO INCLUDE "ROHS" COMPLIANT, 'MADE IN (COUNTRY OF ORIGIN)' AND DATE CODE.

CONTRACT NO.		 APPLIED MOTION PRODUCTS, INC.	
APPROVALS	DATE		
DRAWN	R.JONEZ	9/9/12	BRUSHLESS DC MOTOR ELECTRICAL SPECS
CHECKED	R.BARRICK	12/11/13	
APPROVED			
APPROVED		SCALE: NONE	FSCM NO. B DWG NO. BL090-H03-G REV D
		SHEET 2 OF 2	