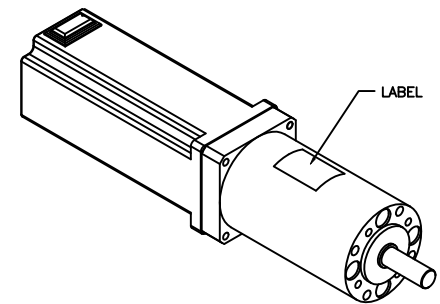
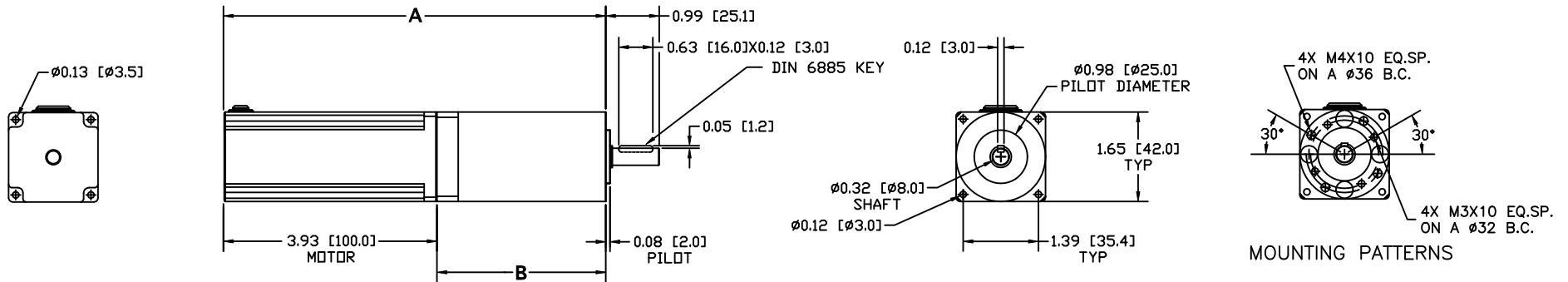


REVISIONS			
REV	DESCRIPTION	DATE	APPROVED
A	INITIAL RELEASE – ECO 6645	2/4/13	J Kordik
B	REVISED – ECO 6692	2/13/13	J Kordik
C	BL105 TO BL090 – ECO 6883	1/7/14	J Kordik

TABULATION CHART				
MODEL NUMBER	DESCRIPTION	RATIO	DIMENSION A	DIMENSION B
BL090-H03-GP003	BL090 MOTOR WITH 1 STAGE PG GEARHEAD	3.70:1	166.25 (6.54)	66.25 (2.60)
BL090-H03-GP004	BL090 MOTOR WITH 1 STAGE PG GEARHEAD	4.28:1		
BL090-H03-GP005	BL090 MOTOR WITH 1 STAGE PG GEARHEAD	5.18:1		
BL090-H03-GP014	BL090 MOTOR WITH 2 STAGE PG GEARHEAD	13.73:1	179.3 (7.05)	79.3 (3.12)
BL090-H03-GP016	BL090 MOTOR WITH 2 STAGE PG GEARHEAD	15.88:1		



2 STAGE SHOWN



NOTE: UNLESS OTHERWISE SPECIFIED

- FOR TECHNICAL DETAILS, CONTACT APPLIED MOTION PRODUCTS.
- FOR IGS 3D MODEL, VISIT OUR WEBSITE, WWW.APPLIED-MOTION.COM

TOLERANCES		THIRD ANGLE PROJECTION		APPLIED MOTION PRODUCTS, INC.	
DECIMALS: [MM] INCH X.XXX = \pm .005 X.XX = \pm [0.13].010 X.X = \pm [0.25].020 ANGLES: MACH. = $\pm 5^\circ$ CHAM. = $\pm 5^\circ$					
		APPROVALS	DATE	BL090 MOTOR WITH PG GEARHEAD	
		DRAWN R. JONEZ	11/15/12	TABULATION CHART	
		CHECKED		B	REV
COMPUTER DATA BASE DRAWING		APPROVED		DWG NO. BL090-H03-GPXXX	C
		SCALE: NONE		SHEET 1 OF 1	