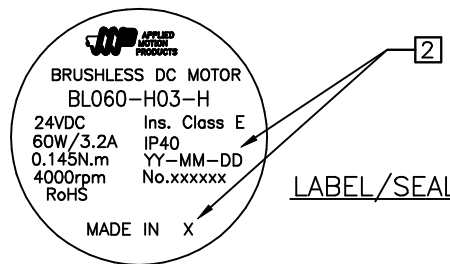
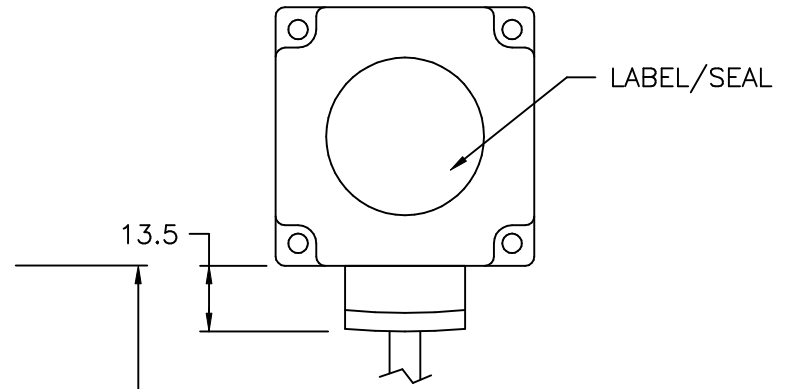
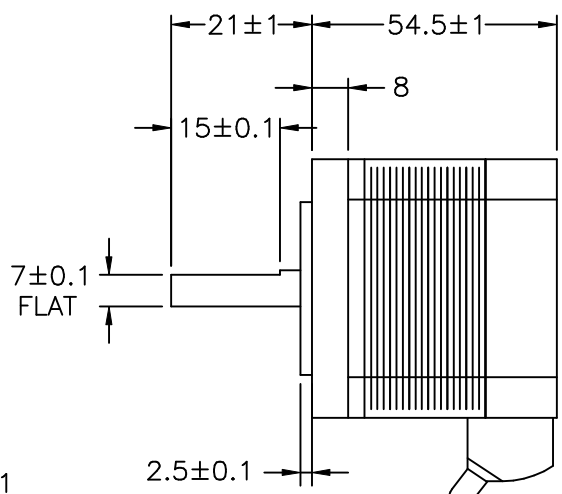
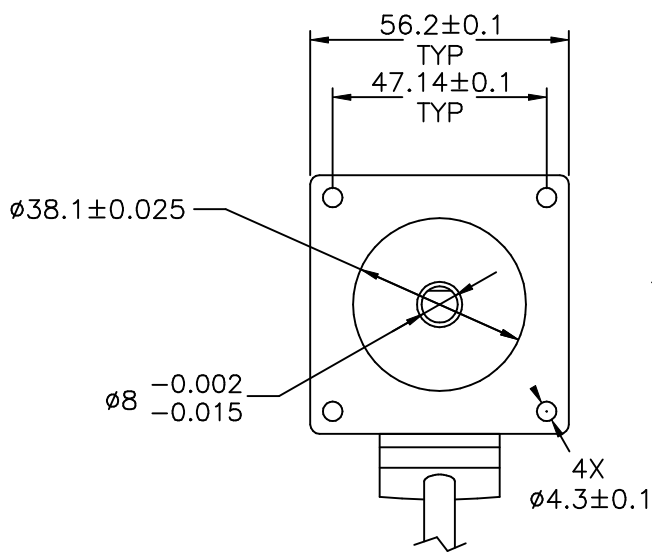
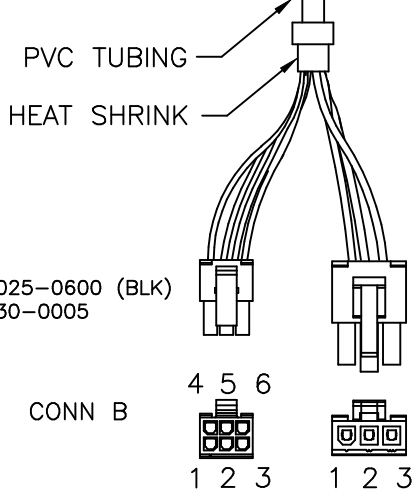


REVISIONS				
REV	ECO	DESCRIPTION	DATE	APPROVED
A	6852	INITIAL RELEASE	12/11/13	J KORDIK
B	6904	SPEC CHANGES	1/29/14	J KORDIK
C	7452	REVISE RoHS NOTE	6/14/16	J KORDIK



CONNECTOR: MOLEX 43025-0600 (BLK)
 TERMINALS: MOLEX 43030-0005

CONNECTOR: MOLEX 39-01-4031(WHT)
 TERMINALS: MOLEX 39-00-0207



MOTOR CONNECTIONS				
WIRE COLOR	FUNCTION	CONNECTOR	PIN#	AWG
ORANGE	U	CONN A	2	20
YELLOW	V	CONN A	3	20
BLUE	W	CONN A	1	20
ORANGE	HU	CONN B	6	24
BLUE	HW	CONN B	4	24
YELLOW	HV	CONN B	3	24
BLACK	GND	CONN B	5	24
RED	VCC (+5V)	CONN B	1	24
-	N/C	CONN B	2	-

TOLERANCES	THIRD ANGLE PROJECTION
DECIMALS: MM (INCH) X.XXX = ± (.005) X.XX = ±0.13 (.010) X.X = ±0.25 (.020)	
ANGLES: MACH. = ±.5° CHAM. = ±5°	APPROVALS
COMPUTER DATA BASE DRAWING	DATE
	DRAWN: R.JONEZ 12/11/13
	CHECKED: R.BARRICK 12/11/13
	APPROVED

APPLIED MOTION PRODUCTS, INC.

BRUSHLESS DC MOTOR OUTLINE

B DWG NO. **BL060-H03-H** REV **C**

SCALE: NONE SHEET 1 OF 2

BRUSHLESS DC MOTOR SPECIFICATION:

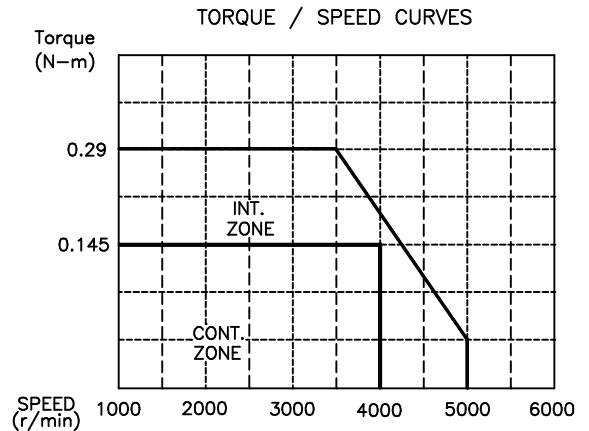
ITEM	UNIT	SPEC
RATED OUTPUT:	W	60
RATED TORQUE:	N-m (kgf-cm)	0.145(1.48)
TORQUE CONSTANT:	mN-m/A	41.6
RATED SPEED:	r/min	4000
MAXIMUM SPEED:	r/min	5000
ROTOR MOMENT OF INERTIA:	Kg-m ²	1.4767X10 ⁻⁵
INSULATION CLASS:	120°C	E


ITEM	UNIT	SPEC
VOLTAGE RATING:	VDC	24
RATED WINDING CURRENT: E.D.C.M	A (rms)	3.20
PEAK CURRENT: E.D.C.M	A (rms) ±10%	6.4
VOLTAGE CONSTANT: E.D.C.M	V/krpm ±10%	3.08
WINDING RESISTANCE: E.D.C.M	V ±10%	0.48
WINDING INDUCTANCE: E.D.C.M	mH ±30%	0.45
PROTECTIVE ENCLOSURE RATING		IP40

PERMANENT MAGNET 8 POLES, 3 PHASE DELTA CONNECTED MOTOR
 WEIGHT: 0.64 kg (1.41 lbs)

NOTES, UNLESS OTHERWISE SPECIFIED:

1. THIS MOTOR IS MANUFACTURED IN COMPLIANCE WITH THE CURRENT EU RoHS DIRECTIVE.
2. MOTOR LABEL TO INCLUDE "ROHS" COMPLIANT, 'MADE IN (COUNTRY OF ORIGIN)' AND DATE CODE.



CONTRACT NO.		 APPLIED MOTION PRODUCTS, INC.			
APPROVALS	DATE	BRUSHLESS DC MOTOR ELECTRICAL SPECS			
DRAWN <i>R. JONEZ</i>	12/11/13				
CHECKED <i>R. BARRICK</i>	12/11/13				
APPROVED					
APPROVED		B	FSCM NO.	DWG NO. BL060-H03-H	C
		SCALE: NONE		SHEET 2 OF 2	