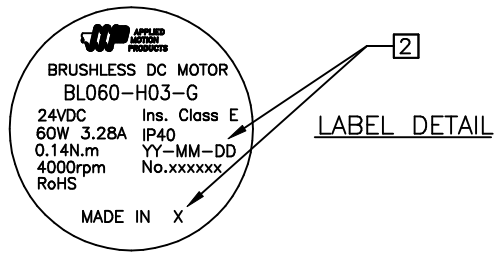
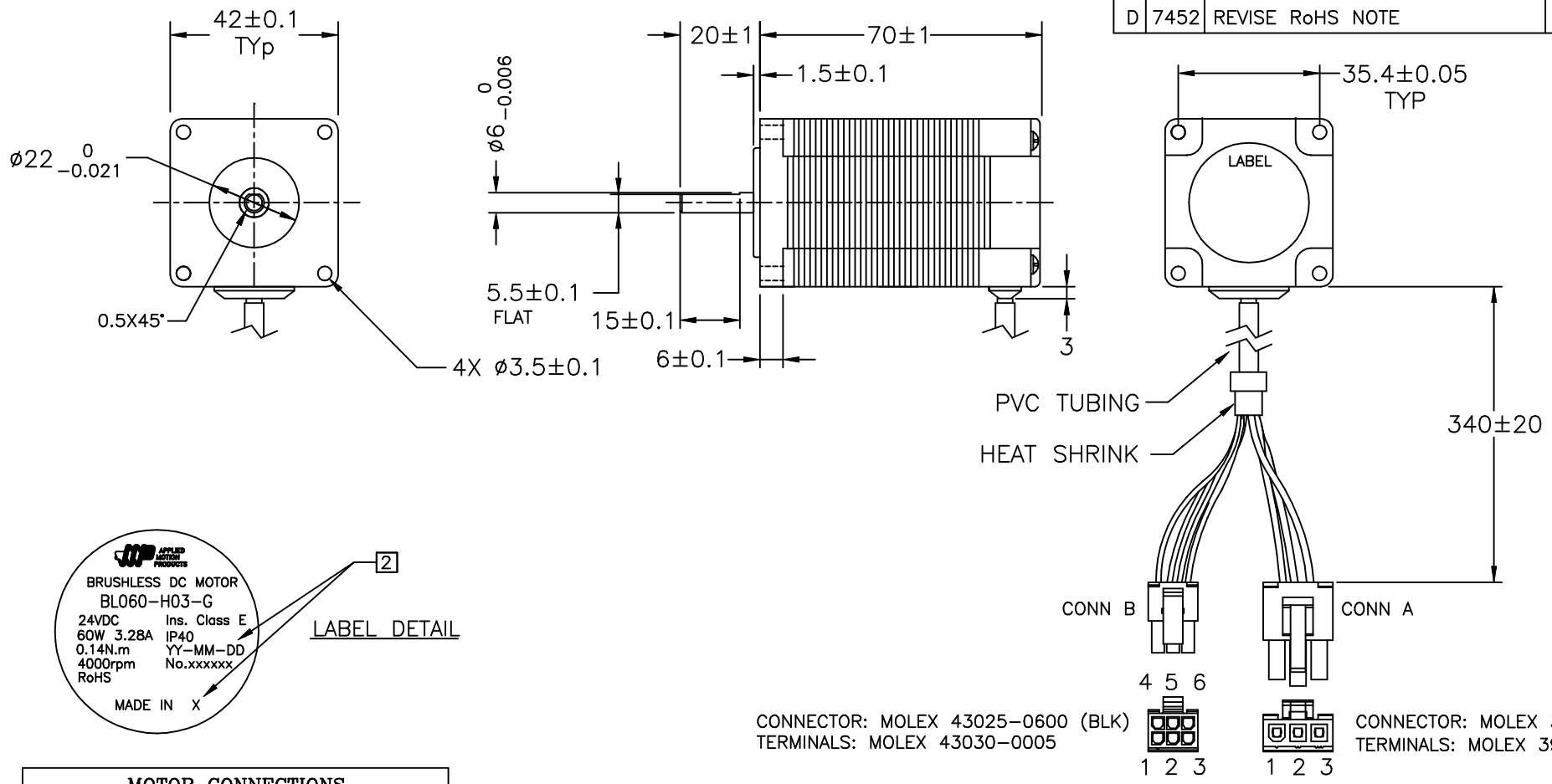


REVISIONS				
REV	ECO	DESCRIPTION	DATE	APPROVED
A	6594	INITIAL RELEASE	10/8/12	J Kordik
B	6631	REVISED SPECS	12/6/12	J Kordik
C	6852	REVISE DIMS/CONN/SPECS	12/11/13	J Kordik
D	7452	REVISE RoHS NOTE	6/14/16	J Kordik



CONNECTOR: MOLEX 43025-0600 (BLK) TERMINALS: MOLEX 43030-0005
 CONNECTOR: MOLEX 39-01-4031(WHT) TERMINALS: MOLEX 39-00-0207

MOTOR CONNECTIONS				
WIRE COLOR	FUNCTION	CONNECTOR	PIN#	AWG
ORANGE	U	CONN A	2	20
YELLOW	V	CONN A	3	20
BLUE	W	CONN A	1	20
ORANGE	HU	CONN B	6	24
BLUE	HW	CONN B	4	24
YELLOW	HV	CONN B	3	24
BLACK	GND	CONN B	5	24
RED	VCC (+5V)	CONN B	1	24
-	N/C	CONN B	2	-

TOLERANCES	THIRD ANGLE PROJECTION
DECIMALS: MM (INCH) X.XXX = \pm (.005) X.XX = ± 0.13 (.010) X.X = ± 0.25 (.020) ANGLES: MACH. = $\pm 5^\circ$ CHAM. = $\pm 5^\circ$	
APPROVALS DRAWN: R. JONEZ CHECKED: R. BARRICK APPROVED:	DATE 10/8/12 12/11/13
COMPUTER DATA BASE DRAWING	

APPLIED MOTION PRODUCTS, INC.
BRUSHLESS DC MOTOR OUTLINE
 B DWG NO. **BL060-H03-G** REV **D**
 NOT TO SCALE SHEET 1 OF 2

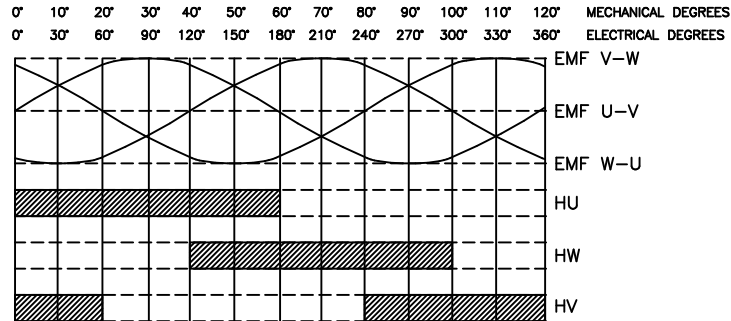
BRUSHLESS DC MOTOR SPECIFICATION:

ITEM	UNIT	SPEC
RATED OUTPUT:	W	60
RATED TORQUE:	N-m (kgf-cm)	0.144(1.46)
RATED SPEED:	r/min	4000
MAXIMUM SPEED:	r/min	5000
ROTOR MOMENT OF INERTIA:	kg-m ²	0.072X10 ⁻⁴
INSULATION CLASS:	120°C	E

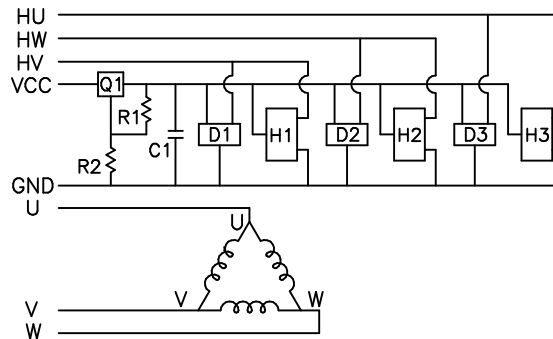
ITEM	UNIT	SPEC
VOLTAGE RATING:	VDC	24
RATED WINDING CURRENT: E.D.C.M	A (rms)	3.28
VOLTAGE CONSTANT: E.D.C.M	V/krpm ±10%	3.0
WINDING RESISTANCE: E.D.C.M	V ±10%	0.68
WINDING INDUCTANCE: E.D.C.M	mH ±30%	0.6
PROTECTIVE ENCLOSURE RATING		IP40

PERMANENT MAGNET 6 POLES, 3 PHASE DELTA CONNECTED MOTOR
 WEIGHT: 0.55 kg (1.21 lbs)

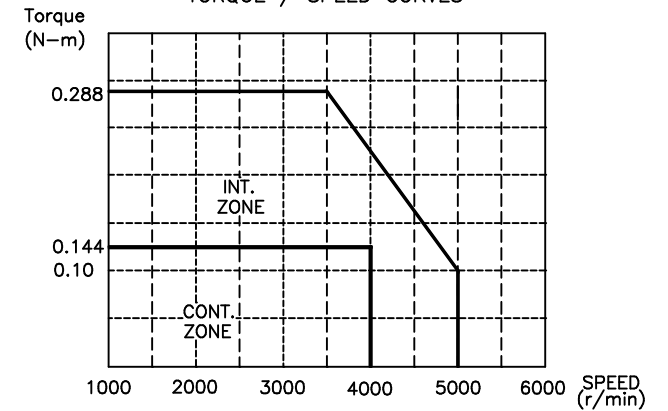
RELATION BETWEEN PHASE EMFS AND HALL SENSOR OUTPUTS AT CW



ELECTRIC DIAGRAM




TORQUE / SPEED CURVES



NOTES, UNLESS OTHERWISE SPECIFIED:

- THIS MOTOR IS MANUFACTURED IN COMPLIANCE WITH THE CURRENT EU RoHS DIRECTIVE.
- MOTOR LABEL TO INCLUDE "ROHS" COMPLIANT, 'MADE IN (COUNTRY OF ORIGIN)' AND DATE CODE.

CONTRACT NO.		 APPLIED MOTION PRODUCTS, INC.			
APPROVALS	DATE				
DRAWN R. JONEZ	10/8/12	BRUSHLESS DC MOTOR ELECTRICAL SPECS			
CHECKED R. BARRICK	12/11/13				
APPROVED		B	FSCM NO.	DWG NO. BL060-H03-G	B D
APPROVED			SCALE: NONE	SHEET 2 OF 2	