



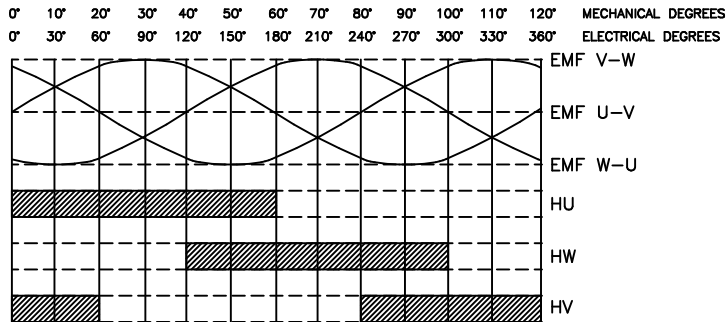
BRUSHLESS DC MOTOR SPECIFICATION:

ITEM	UNIT	SPEC
RATED OUTPUT:	W	30
RATED TORQUE:	N-m (kgf-cm)	0.072(0.73)
RATED SPEED:	r/min	4000
MAXIMUM SPEED:	r/min	5000
ROTOR MOMENT OF INERTIA:	kg-m <sup>2</sup>	0.0388X10 <sup>-4</sup>
INSULATION CLASS:	120°C	E

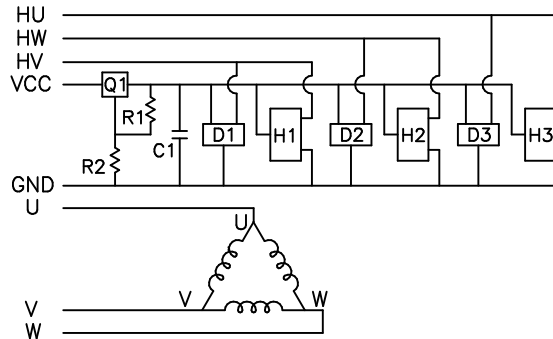
ITEM	UNIT	SPEC
VOLTAGE RATING:	VDC	24
RATED WINDING CURRENT: E.D.C.M	A (rms)	1.67
VOLTAGE CONSTANT: E.D.C.M	V/krpm ±10%	2.95
WINDING RESISTANCE: E.D.C.M	V ±10%	1.34
WINDING INDUCTANCE: E.D.C.M	mH ±30%	1.15
PROTECTIVE ENCLOSURE RATING		IP40

PERMANENT MAGNET 6 POLES, 3 PHASE DELTA CONNECTED MOTOR  
 WEIGHT: 0.32 kg (0.70 lbs)

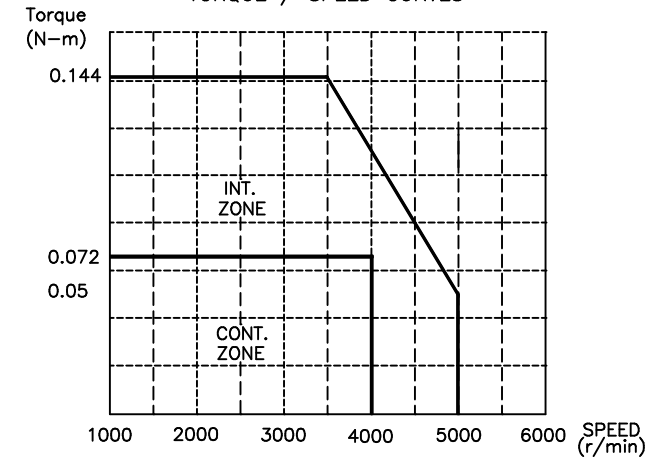
RELATION BETWEEN PHASE EMFS  
 AND HALL SENSOR OUTPUTS AT CW



ELECTRIC DIAGRAM




TORQUE / SPEED CURVES



NOTES, UNLESS OTHERWISE SPECIFIED:

- THIS MOTOR IS MANUFACTURED IN COMPLIANCE WITH THE CURRENT EU RoHS DIRECTIVE.
- MOTOR LABEL TO INCLUDE "ROHS" COMPLIANT, 'MADE IN (COUNTRY OF ORIGIN)' AND DATE CODE.

CONTRACT NO.		 <b>APPLIED                  MOTION                  PRODUCTS, INC.</b>			
APPROVALS	DATE				
DRAWN <i>R. JONEZ</i>	9/9/12	<b>BRUSHLESS DC MOTOR                  ELECTRICAL SPECS</b>			
CHECKED <i>R. BARRICK</i>	12/11/13				
APPROVED		B	FSCM NO.	DWG NO. BL030-H03-G	REV D
APPROVED		SCALE: NONE		SHEET 2 OF 2	