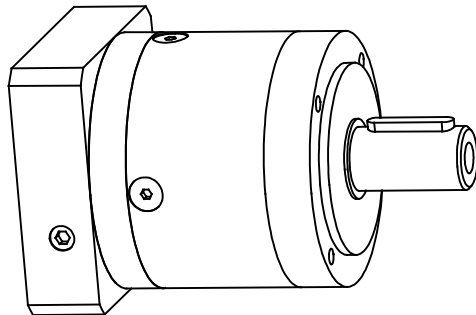
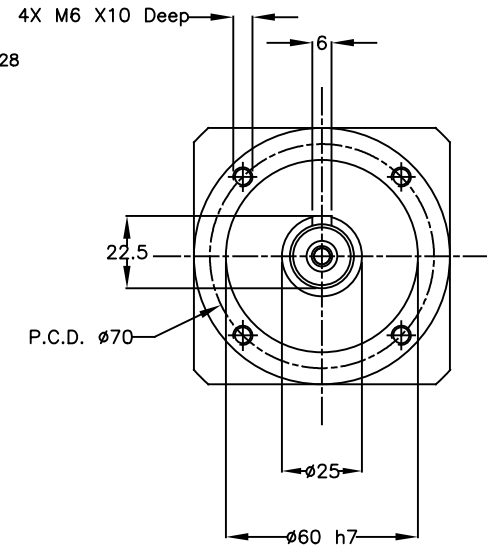
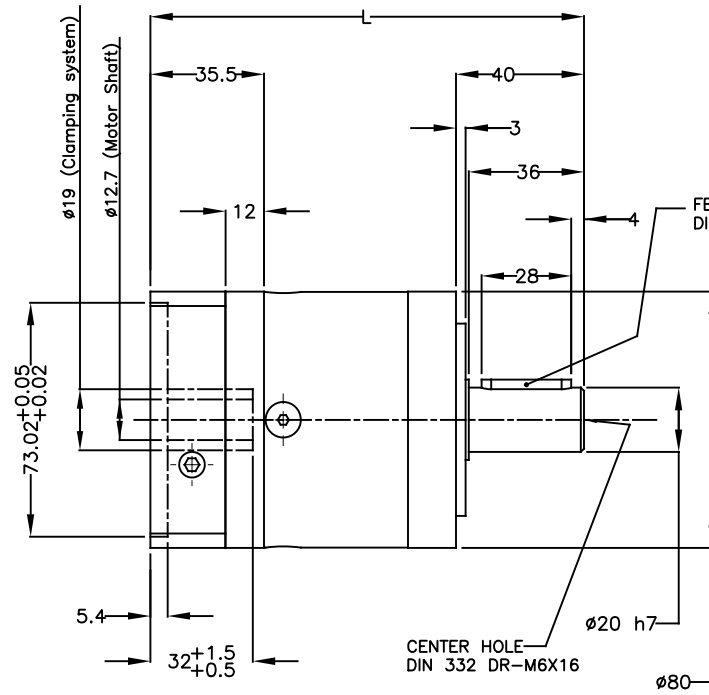
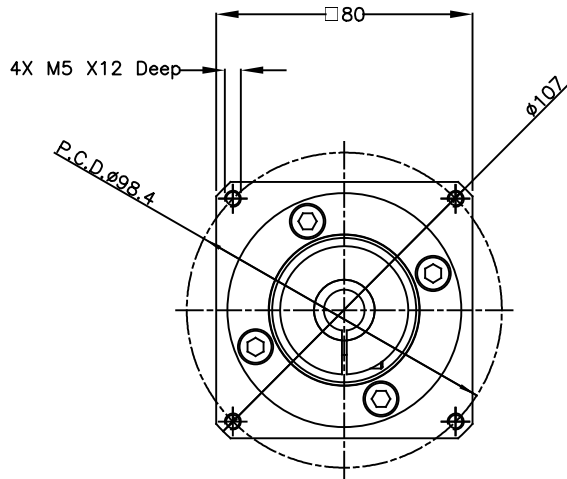

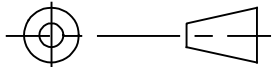



REVISIONS			
REV	DESCRIPTION	DATE	APPROVED
A	INITIAL RELEASE ECO 7721	10/16/17	J.KORDIK
B	FIX TYPO FOR FIT ECO 7892	3/16/18	J.KORDIK
C	ADD INERTIA VALUES ECO 8004	7/12/18	J.KORDIK



TOLERANCES		THIRD ANGLE PROJECTION		 APPLIED MOTION PRODUCTS, INC.	
GENERAL TOLERANCES DIN ISO 2768 cL					
		COMPUTER DATA BASE DRAWING	APPROVED J.KORDIK	DATE 3/16/18	SCALE: 5:2
		APPROVALS	DATE	DWG NO. 80PEXXX-SSAH3	
		DRAWN N.DEY	3/15/18		
		CHECKED R.JONEZ	3/16/18		
				SHEET 1 OF 2	

TECHNICAL DETAILS (SI UNITS):								
GEAR RATIO	4:1	5:1	7:1	10:1	15:1	25:1	60:1	100:1
FRAME SIZE	80 MM	80 MM	80 MM	80 MM	80 MM	80 MM	80 MM	80 MM
OUTPUT SHAFT DIAMETER	20 MM	20 MM	20 MM	20 MM	20 MM	20 MM	20 MM	20 MM
INPUT SPEED	3900 RPM	4000 RPM	4000 RPM	4000 RPM	4000 RPM	4000 RPM	4000 RPM	4000 RPM
WEIGHT (KG)	2	2	2	2	2.5	2.5	3	3
IP RATING	IP54	IP54	IP54	IP54	IP54	IP54	IP54	IP54
TORQUE – NOM UNIDIRECTIONAL	115 N·M	110 N·M	65 N·M	38 N·M	110 N·M	110 N·M	110 N·M	120 N·M
TORQUE – NOM BIDIRECTIONAL	68 N·M	68 N·M	65 N·M	38 N·M	68 N·M	68 N·M	68 N·M	68 N·M
TORQUE – MAX OUTPUT	184 N·M	176 N·M	104 N·M	61 N·M	176 N·M	176 N·M	176 N·M	192 N·M
MOMENT OF INERTIA (g-cm ²)	455	423	379	359	586	404	584	404
WORKING TEMPERATURE (°C)	-25 TO +90	-25 TO +90	-25 TO +90	-25 TO +90	-25 TO +90	-25 TO +90	-25 TO +90	-25 TO +90
LENGTH	135.5 MM	135.5 MM	135.5 MM	135.5 MM	153 MM	153 MM	170.5 MM	170.5 MM
BACKLASH (arcmin)	< 7	< 7	< 7	< 7	< 9	< 9	< 11	< 11
TORSIONAL STIFFNESS (Nm/arcmin)	5.8	5.5	5.2	4.3	5.7	5.5	5.8	5.8
EFFICIENCY (%)	98	98	97	96	96	95	92	90

TECHNICAL DETAILS (IMPERIAL UNITS):								
GEAR RATIO	4:1	5:1	7:1	10:1	15:1	25:1	60:1	100:1
FRAME SIZE	3.14 in	3.14 in	3.14 in	3.14 in	3.14 in	3.14 in	3.14 in	3.14 in
OUTPUT SHAFT DIAMETER	0.79 in	0.79 in	0.79 in	0.79 in	0.79 in	0.79 in	0.79 in	0.79 in
INPUT SPEED	3900 RPM	4000 RPM	4000 RPM	4000 RPM	4000 RPM	4000 RPM	4000 RPM	4000 RPM
WEIGHT (LB)	4.4	4.4	4.4	4.4	5.5	5.5	6.6	6.6
IP RATING	IP54	IP54	IP54	IP54	IP54	IP54	IP54	IP54
TORQUE – NOM UNIDIRECTIONAL	1017.8 in·lbs	973.6 in·lbs	575.3 in·lbs	336.3 in·lbs	973.6 in·lbs	973.6 in·lbs	973.6 in·lbs	1062.1 in·lbs
TORQUE – NOM BIDIRECTIONAL	601.9 in·lbs	601.8 in·lbs	575.3 in·lbs	336.3 in·lbs	601.9 in·lbs	601.9 in·lbs	601.9 in·lbs	601.9 in·lbs
TORQUE – MAX OUTPUT	1628.5 in·lbs	1557.7 in·lbs	920.5 in·lbs	539.9 in·lbs	1557.7 in·lbs	1557.7 in·lbs	1557.7 in·lbs	1699.3 in·lbs
MOMENT OF INERTIA (oz-in-sec ²)	0.006443	0.005990	0.005367	0.005083	0.008298	0.005721	0.008270	0.005721
WORKING TEMPERATURE (°F)	-13 TO 194	-13 TO 194	-13 TO 194	-13 TO 194	-13 TO 194	-13 TO 194	-13 TO 194	-13 TO 194
LENGTH	5.3 in	5.3 in	5.3 in	5.3 in	6 in	6 in	6.7 in	6.7 in
BACKLASH (arcmin)	< 7	< 7	< 7	< 7	< 9	< 9	< 11	< 11
TORSIONAL STIFFNESS (inlb/arcmin)	51.3	48.7	46	38.1	50.5	48.7	51.3	51.3
EFFICIENCY (%)	98	98	97	96	96	95	92	90

APPROVALS	DATE	 APPLIED MOTION PRODUCTS, INC.
DRAWN N.DEY	3/15/18	
CHECKED R.JONEZ	3/16/18	
APPROVED J.KORDIK	3/16/18	
COMPUTER DATA BASE DRAWING		OUTLINE, GEAR HEAD, 80MM B DWG NO. 80PEXXX-SSAH3 REV C
SCALE: 5:2		SHEET 2 OF 2