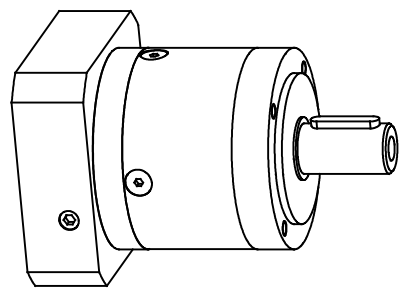
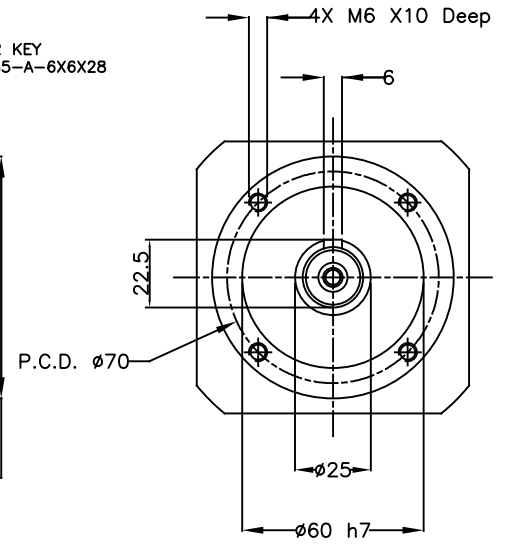
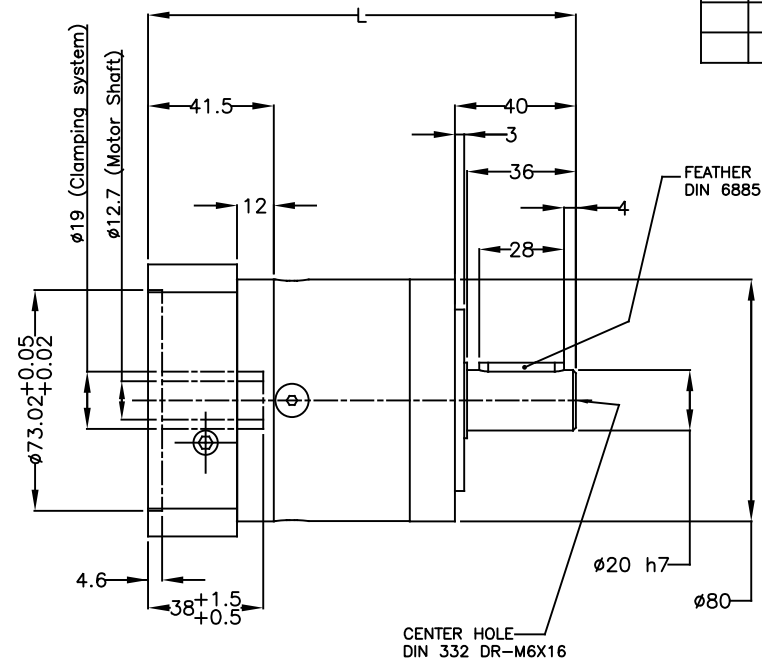
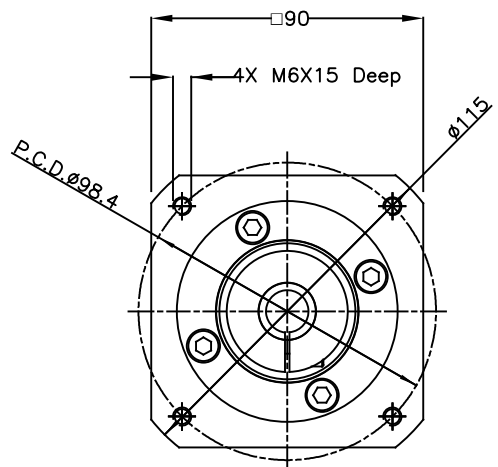



REVISIONS			
REV	DESCRIPTION	DATE	APPROVED
A	INITIAL RELEASE ECO 7721	10/16/17	J.KORDIK
B	FIX TYPO FOR FIT ECO 7892	3/16/18	J.KORDIK



TOLERANCES	THIRD ANGLE PROJECTION			
GENERAL TOLERANCES DIN ISO 2768 cL	APPROVALS	DATE		
COMPUTER DATA BASE DRAWING	DRAWN N.DEY	3/15/18	B DWG NO. 80PEXXX-SSAH2	
	CHECKED R.JONEZ	3/16/18		REV B
	APPROVED J.KORDIK	3/16/18	SCALE: 5:2	SHEET 1 OF 2

TECHNICAL DETAILS (SI UNITS):								
GEAR RATIO	4:1	5:1	7:1	10:1	15:1	25:1	60:1	100:1
FRAME SIZE	80 MM	80 MM	80 MM	80 MM	80 MM	80 MM	80 MM	80 MM
OUTPUT SHAFT DIAMETER	20 MM	20 MM	20 MM	20 MM	20 MM	20 MM	20 MM	20 MM
INPUT SPEED	3900 RPM	4000 RPM	4000 RPM	4000 RPM	4000 RPM	4000 RPM	4000 RPM	4000 RPM
WEIGHT (KG)	2.2	2.2	2.2	2.2	2.7	2.7	3.2	3.2
IP RATING	IP54	IP54	IP54	IP54	IP54	IP54	IP54	IP54
TORQUE – NOM UNIDIRECTIONAL	115 N·M	110 N·M	65 N·M	38 N·M	110 N·M	110 N·M	110 N·M	120 N·M
TORQUE – NOM BIDIRECTIONAL	68 N·M	68 N·M	65 N·M	38 N·M	68 N·M	68 N·M	68 N·M	68 N·M
TORQUE – MAX OUTPUT	184 N·M	176 N·M	104 N·M	61 N·M	176 N·M	176 N·M	176 N·M	192 N·M
WORKING TEMPERATURE (°C)	-25 TO +90	-25 TO +90	-25 TO +90	-25 TO +90	-25 TO +90	-25 TO +90	-25 TO +90	-25 TO +90
LENGTH	141.5 MM	141.5 MM	141.5 MM	141.5 MM	159 MM	159 MM	176.5 MM	176.5 MM
BACKLASH (arcmin)	< 7	< 7	< 7	< 7	< 9	< 9	< 11	< 11
TORSIONAL STIFFNESS (Nm/arcmin)	5.8	5.5	5.2	4.3	5.7	5.5	5.8	5.8
EFFICIENCY (%)	98	98	97	96	96	95	92	90

TECHNICAL DETAILS (IMPERIAL UNITS):								
GEAR RATIO	4:1	5:1	7:1	10:1	15:1	25:1	60:1	100:1
FRAME SIZE	3.14 in	3.14 in	3.14 in	3.14 in	3.14 in	3.14 in	3.14 in	3.14 in
OUTPUT SHAFT DIAMETER	0.79 in	0.79 in	0.79 in	0.79 in	0.79 in	0.79 in	0.79 in	0.79 in
INPUT SPEED	3900 RPM	4000 RPM	4000 RPM	4000 RPM	4000 RPM	4000 RPM	4000 RPM	4000 RPM
WEIGHT (LB)	4.85	4.85	4.85	4.85	5.95	5.95	7.05	7.05
IP RATING	IP54	IP54	IP54	IP54	IP54	IP54	IP54	IP54
TORQUE – NOM UNIDIRECTIONAL	1017.8 in·lbs	973.6 in·lbs	575.3 in·lbs	336.3 in·lbs	973.6 in·lbs	973.6 in·lbs	973.6 in·lbs	1062.1 in·lbs
TORQUE – NOM BIDIRECTIONAL	601.9 in·lbs	601.8 in·lbs	575.3 in·lbs	336.3 in·lbs	601.9 in·lbs	601.9 in·lbs	601.9 in·lbs	601.9 in·lbs
TORQUE – MAX OUTPUT	1628.5 in·lbs	1557.7 in·lbs	920.5 in·lbs	539.9 in·lbs	1557.7 in·lbs	1557.7 in·lbs	1557.7 in·lbs	1699.3 in·lbs
WORKING TEMPERATURE (°F)	-13 TO 194	-13 TO 194	-13 TO 194	-13 TO 194	-13 TO 194	-13 TO 194	-13 TO 194	-13 TO 194
LENGTH	5.57 in	5.57 in	5.57 in	5.57 in	6.25 in	6.25 in	6.95 in	6.95 in
BACKLASH (arcmin)	< 7	< 7	< 7	< 7	< 9	< 9	< 11	< 11
TORSIONAL STIFFNESS (inlb/arcmin)	51.3	48.7	46	38.1	50.5	48.7	51.3	51.3
EFFICIENCY (%)	98	98	97	96	96	95	92	90

APPROVALS	DATE	 APPLIED MOTION PRODUCTS, INC.
DRAWN N.DEY	3/15/18	
CHECKED R.JONEZ	3/16/18	
APPROVED J.KORDIK	3/16/18	OUTLINE, GEAR HEAD, 80MM
COMPUTER DATA BASE DRAWING		B DWG NO. 80PEXXX-SSAH2 REV B
		SCALE: NONE SHEET 2 OF 2