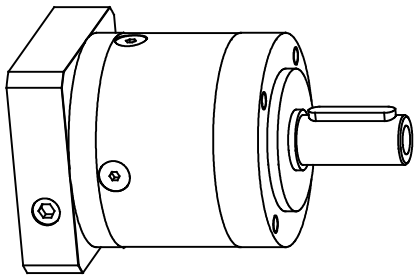
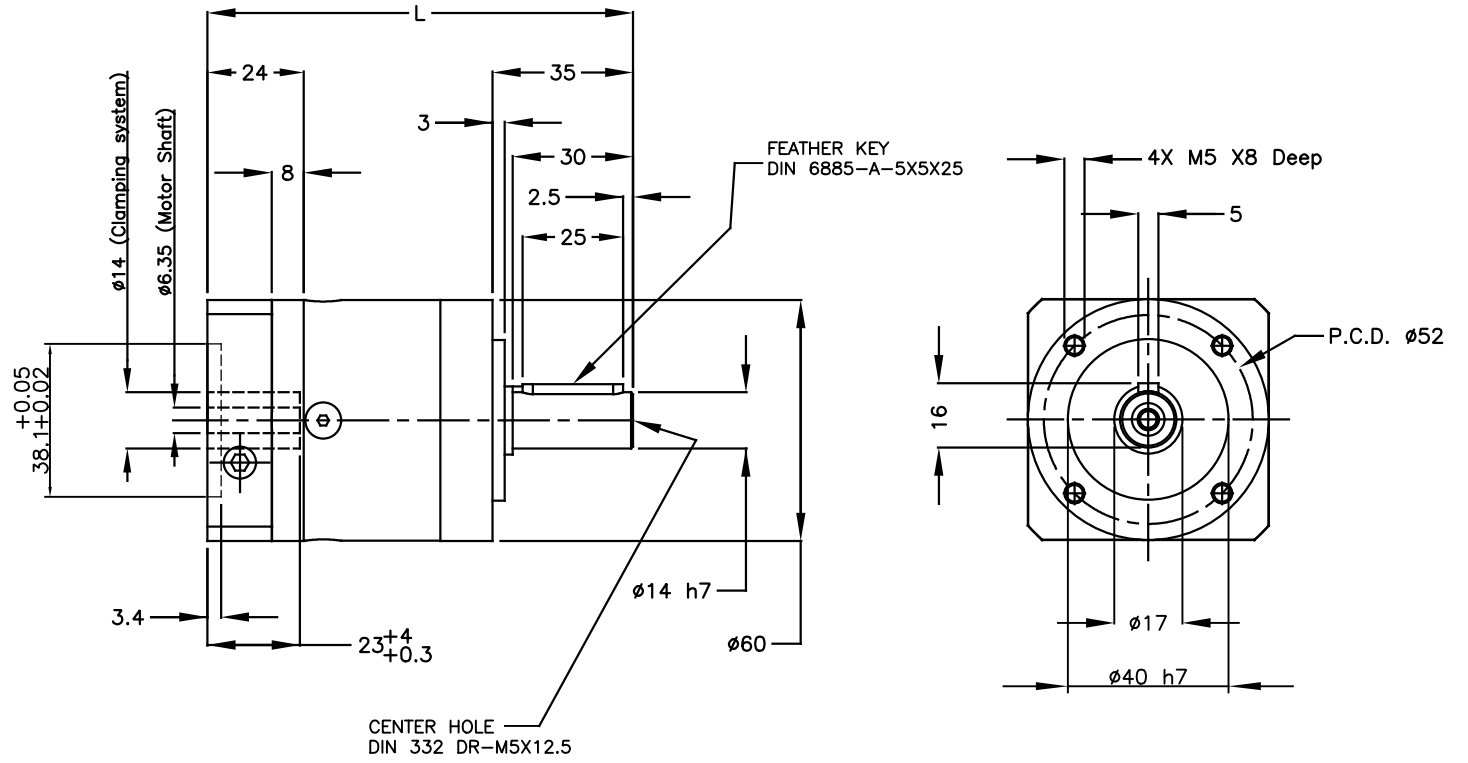
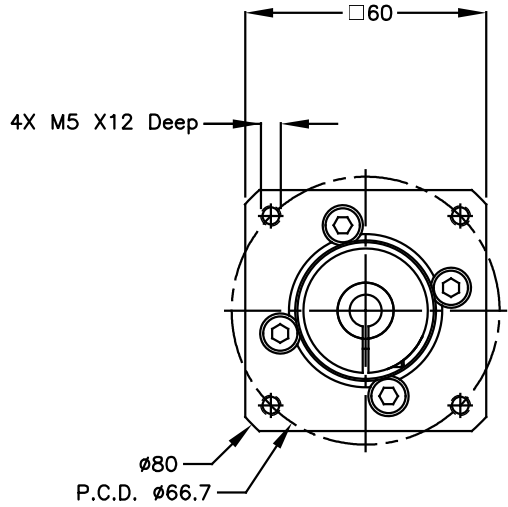



REVISIONS			
REV	DESCRIPTION	DATE	APPROVED
A	INITIAL RELEASE ECO 7721	10/16/17	J.KORDIK
B	FIX TYPO FOR FIT ECO 7892	3/16/18	J.KORDIK
C	ADD INERTIA VALUES ECO 8004	7/12/18	J.KORDIK



TOLERANCES		THIRD ANGLE PROJECTION		APPLIED MOTION PRODUCTS, INC.	
GENERAL TOLERANCES DIN ISO 2768 cL					
COMPUTER DATA BASE DRAWING		APPROVALS	DATE	B DWG NO. 60PEXXX-SSAF3	REV C
		DRAWN N.DEY	3/14/18		
		CHECKED R.JONEZ	3/16/18		
		APPROVED J.KORDIK	3/16/18		

TECHNICAL DETAILS (SI UNITS):								
GEAR RATIO	4:1	5:1	7:1	10:1	15:1	25:1	60:1	100:1
FRAME SIZE	60 MM	60 MM	60 MM	60 MM	60 MM	60 MM	60 MM	60 MM
OUTPUT SHAFT DIAMETER	14 MM	14 MM	14 MM	14 MM	14 MM	14 MM	14 MM	14 MM
INPUT SPEED	4500 RPM	4500 RPM	4500 RPM	4500 RPM	4500 RPM	4500 RPM	4500 RPM	4500 RPM
WEIGHT (KG)	0.9	0.9	0.9	0.9	1.1	1.1	1.3	1.3
IP RATING	IP54	IP54	IP54	IP54	IP54	IP54	IP54	IP54
TORQUE – NOM UNIDIRECTIONAL	38 N·M	40 N·M	25 N·M	15 N·M	44 N·M	40 N·M	44 N·M	44 N·M
TORQUE – NOM BIDIRECTIONAL	31 N·M	31 N·M	25 N·M	15 N·M	31 N·M	31 N·M	31 N·M	31 N·M
TORQUE – MAX OUTPUT	61 N·M	64 N·M	40 N·M	24 N·M	70 N·M	64 N·M	70 N·M	70 N·M
MOMENT OF INERTIA (g-cm ²)	112	100	90	85	97	95	96	95
WORKING TEMPERATURE (°C)	-25 TO +90	-25 TO +90	-25 TO +90	-25 TO +90	-25 TO +90	-25 TO +90	-25 TO +90	-25 TO +90
LENGTH	106 MM	106 MM	106 MM	106 MM	118.5 MM	118.5 MM	131 MM	131 MM
BACKLASH (arcmin)	< 10	< 10	< 10	< 10	< 12	< 12	< 15	< 15
TORSIONAL STIFFNESS (Nm/arcmin)	2.3	2.2	2.1	1.7	2.3	2.2	2.3	2.3
EFFICIENCY (%)	98	98	97	96	96	95	92	90

TECHNICAL DETAILS (IMPERIAL UNITS):								
GEAR RATIO	4:1	5:1	7:1	10:1	15:1	25:1	60:1	100:1
FRAME SIZE	2.36 in	2.36 in	2.36 in	2.36 in	2.36 in	2.36 in	2.36 in	2.36 in
OUTPUT SHAFT DIAMETER	0.55 in	0.55 in	0.55 in	0.55 in	0.55 in	0.55 in	0.55 in	0.55 in
INPUT SPEED	4500 RPM	4500 RPM	4500 RPM	4500 RPM	4500 RPM	4500 RPM	4500 RPM	4500 RPM
WEIGHT (LB)	1.9	1.9	1.9	1.9	2.4	2.4	2.8	2.8
IP RATING	IP54	IP54	IP54	IP54	IP54	IP54	IP54	IP54
TORQUE – NOM UNIDIRECTIONAL	336.3 in·lbs	354 in·lbs	221.3 in·lbs	132.7 in·lbs	389.4 in·lbs	354 in·lbs	389.4 in·lbs	389.4 in·lbs
TORQUE – NOM BIDIRECTIONAL	274.4 in·lbs	274.4 in·lbs	221.3 in·lbs	132.7 in·lbs	274.4 in·lbs	274.4 in·lbs	274.4 in·lbs	274.4 in·lbs
TORQUE – MAX OUTPUT	539.9 in·lbs	566.4 in·lbs	354 in·lbs	212.4 in·lbs	619.6 in·lbs	566.4 in·lbs	619.6 in·lbs	619.6 in·lbs
MOMENT OF INERTIA (oz-in-sec ²)	0.001586	0.001416	0.001274	0.001204	0.001374	0.001345	0.001359	0.001345
WORKING TEMPERATURE (°F)	-13 TO 194	-13 TO 194	-13 TO 194	-13 TO 194	-13 TO 194	-13 TO 194	-13 TO 194	-13 TO 194
LENGTH	4.2 in	4.2 in	4.2 in	4.2 in	4.7 in	4.7 in	5.2 in	5.2 in
BACKLASH (arcmin)	< 10	< 10	< 10	< 10	< 12	< 12	< 15	< 15
TORSIONAL STIFFNESS (inlb/arcmin)	20.4	19.5	18.6	15.1	20.4	19.5	20.4	20.4
EFFICIENCY (%)	98	98	97	95	96	95	92	90

APPROVALS	DATE	 APPLIED MOTION PRODUCTS, INC.
DRAWN N.DEY	3/14/18	
CHECKED R.JONEZ	3/16/18	
APPROVED J.KORDIK	3/16/18	
COMPUTER DATA BASE DRAWING		OUTLINE, GEAR HEAD, 60MM B
		DWG NO. 60PEXXX-SSAF3
		REV C
		SCALE: NONE
		SHEET 2 OF 2