

**SPECIFICATIONS:**

5014-020

REVISIONS				
ECO NO.	REV	DESCRIPTION	DATE	APPROVED
6914	A	PRELIMINARY RELEASE	2/26/14	D.MACLEOD
6944	B	MANU. SPEC CHANGES	3/14/14	J.KORDIK
7000	C	MANU. SPEC CHANGES	5/29/14	J.KORDIK
-	-	-	-	-
-	-	-	-	-
-	-	-	-	-
-	-	-	-	-
-	-	-	-	-
-	-	-	-	-
-	-	-	-	-
-	-	-	-	-
-	-	-	-	-

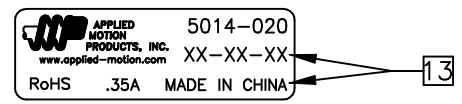
NUMBER OF PHASES: 2	ROTOR INERTIA: 20 g-cm <sup>2</sup> ( 0.109 oz-in <sup>2</sup> ) NOM
STEPS PER REVOLUTION: 200	DETENT TORQUE: 10 mNm ( 1.42 oz-in) MIN
STEP ANGLE: 1.8°	BEARINGS: 625ZZ
STEP TO STEP ACCURACY: ±0.09° [1], [2]	INSULATION CLASS: B
POSITIONAL ACCURACY: ±0.09° [1], [3]	HYSTERESIS: N/A%
SHAFT RUNOUT: 0.03 mm T.I.R. MAX	TEMP. RISE: 80 °C MAX. [9]
RADIAL PLAY: 0.02 mm MAX (.5KG RADIAL LOAD)	OPERATING TEMP. RANGE: -20 TO +50 °C
END PLAY: 0.08 mm MAX (.5KG AXIAL LOAD)	STORAGE TEMP. RANGE: -30 TO +70 °C
MAXIMUM RADIAL LOAD: 21N ( 4.72lb)	RELATIVE HUMIDITY RANGE: 15 TO 85 %
MAXIMUM AXIAL LOAD: 10N ( 2.25lb)	WEIGHT: 0.21 kg ( 0.46 lb)

CONNECTION	[7]	[8]	[1]	[1]		
	SPECIFICATION	RESISTANCE PER PHASE (ohm ±10%)	INDUCTANCE PER PHASE (mH ±20%)	RATED CURRENT (amp)	HOLDING TORQUE (Nm MIN)	HOLDING TORQUE (oz-in Min)
BI-POLAR		8.3	7.5	0.35	0.056	7.93

NOTES, UNLESS OTHERWISE SPECIFIED:

- [1] MEASUREMENTS MADE AT RATED CURRENT IN EACH PHASE.
- [2] BETWEEN ANY TWO ADJACENT FULL STEP POSITIONS.
- [3] MAXIMUM ERROR IN 360°.
- 4. HIPOT 500 VAC, 60 Hz FOR ONE MINUTE.
- [5] LEADS: 4, AWG 26, 7 STRAND MIN., UL AND CSA APPROVED, UL 1430
- 6. INSULATION RESISTANCE: 100 MEGOHMS MIN AT 500 VDC.
- [7] AS MEASURED ACROSS EACH PHASE.
- [8] AS MEASURED ACROSS EACH PHASE USING AN A.C. INDUCTANCE BRIDGE AT 1 KHz.
- [9] AS MEASURED BY THE CHANGE IN RESISTANCE METHOD, WITH RATED CURRENT APPLIED TO 2 PHASES; WITH MOTOR AT REST.
- [10] ADD "D" TO END OF PART NUMBER IF DOUBLE SHAFT IS REQUIRED. ENCODER HOLES INCLUDED WITH REAR SHAFT VERSION ONLY.
- 11. ROTOR & STATOR LAMINATED CONSTRUCTION.
- 12. THIS MOTOR TO BE MANUFACTURED IN COMPLIANCE WITH EU DIRECTIVE "ROHS 2002/95/EC".
- [13] MOTOR LABEL TO INCLUDE "ROHS" COMPLIANT, AMP P/N, 'MADE IN (COUNTRY OF ORIGIN)', AND DATE CODE.

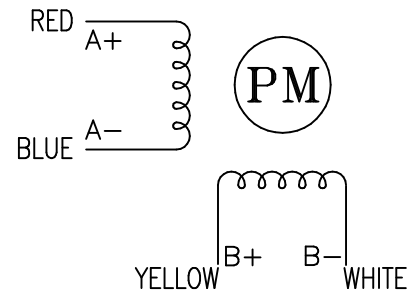
LABEL DETAIL



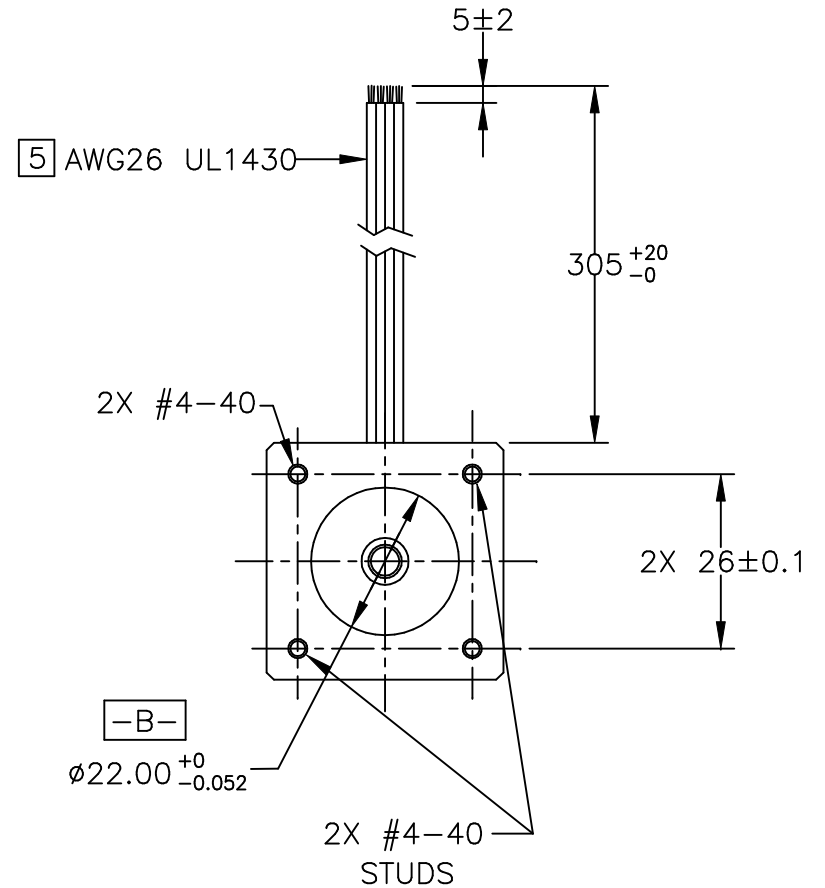
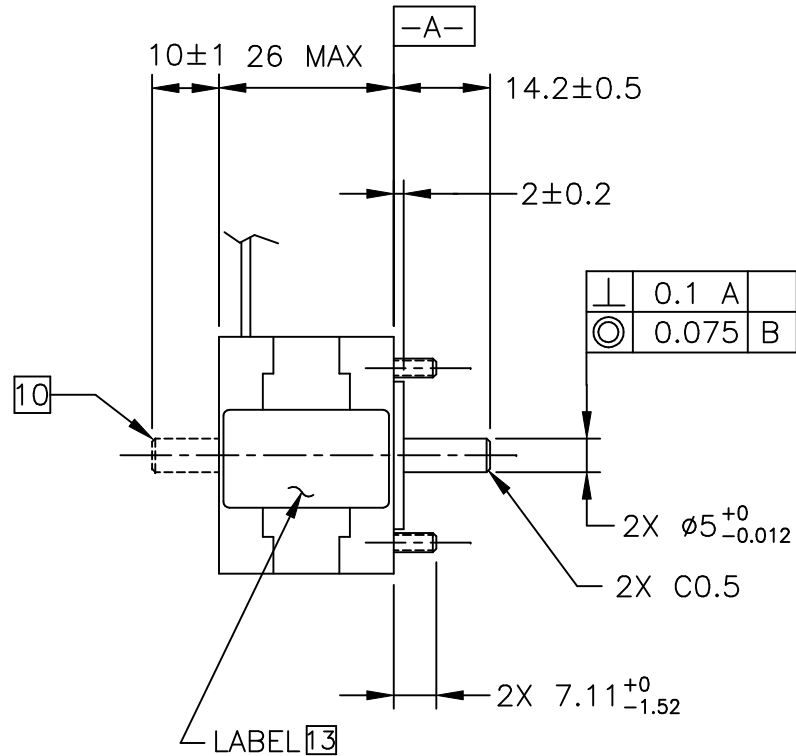
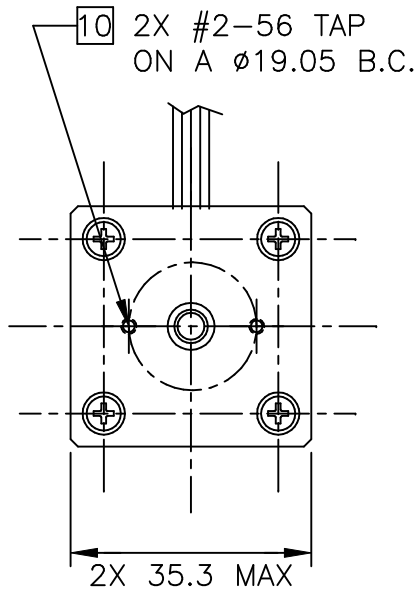
SWITCHING SEQUENCE FOR CW ROTATION  
FACING MOUNTING END

STEP	A+	A-	B+	B-
0	+	-	+	-
1	-	+	+	-
2	-	+	-	+
3	+	-	-	+
4	+	-	+	-

CW  
↓



CONTRACT NO. -		APPLIED MOTION PRODUCTS, INC.			
APPROVALS	DATE	<b>STEP MOTOR OUTLINE</b>			
DRAWN K.KESLER	5/22/14				
CHECKED -	-				
APPROVED -	-				
APPROVED -	-	B	COMPUTER DATA BASE DRAWING	DWG NO. 5014-020	REV C
SCALE: NONE		SHEET 1 OF 2			



TOLERANCES		THIRD ANGLE PROJECTION		APPLIED MOTION PRODUCTS, INC.	
*ALL DIMENSIONS IN MM				<b>STEP MOTOR OUTLINE</b>	
DECIMALS: MM					
X.XX = ±0.13		APPROVALS	DATE	B	DWG NO. 5014-020
X.X = ±0.25		DRAWN K. KESLER	5/22/14		
ANGLES:		CHECKED	-	SCALE: NONE	
MACH. = ±0.5°		APPROVED	-	SHEET 2 OF 2	
CHAM. = ±5°		COMPUTER DATA BASE DRAWING	-		