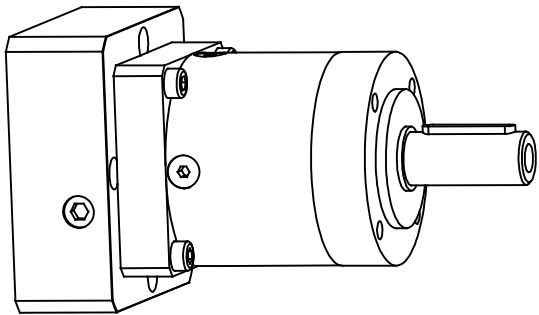
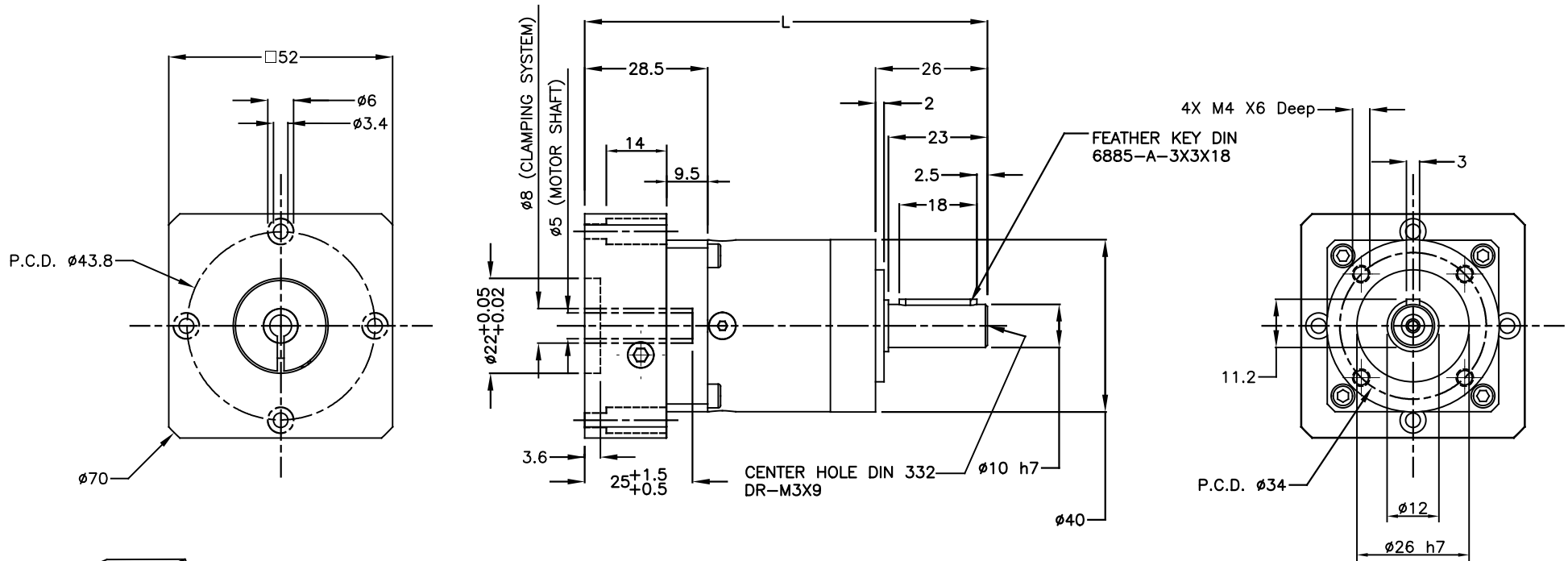



REVISIONS			
REV	DESCRIPTION	DATE	APPROVED
A	INITIAL RELEASE ECO 7721	10/16/17	J.KORDIK
B	REVISE DIMENSION ECO 7733	10/16/17	J.KORDIK
C	FIX TYPO FOR FIT ECO 7892	3/16/18	J.KORDIK
D	ADD INERTIA VALUES ECO 8004	7/12/18	J.KORDIK



TOLERANCES	THIRD ANGLE PROJECTION		APPLIED MOTION PRODUCTS, INC.	
GENERAL TOLERANCES DIN ISO 2768 cL				
	APPROVALS	DATE		
	DRAWN N.DEY	3/14/18	B DWG NO. 40PEXXX-SSAE2	REV D
CHECKED R.JONEZ	3/16/18	SCALE: 3:2		
COMPUTER DATA BASE DRAWING	APPROVED J.KORDIK	3/16/18	SHEET 1 OF 2	

TECHNICAL DETAILS (SI UNITS):								
GEAR RATIO	4:1	5:1	7:1	10:1	15:1	25:1	60:1	100:1
FRAME SIZE	40 MM	40 MM	40 MM	40 MM	40 MM	40 MM	40 MM	40 MM
OUTPUT SHAFT DIAMETER	10 MM	10 MM	10 MM	10 MM	10 MM	10 MM	10 MM	10 MM
INPUT SPEED	5000 RPM	5000 RPM	5000 RPM	5000 RPM	5000 RPM	5000 RPM	5000 RPM	5000 RPM
WEIGHT (KG)	0.35	0.35	0.35	0.35	0.65	0.65	0.65	0.65
IP RATING	IP54	IP54	IP54	IP54	IP54	IP54	IP54	IP54
TORQUE – NOM UNIDIRECTIONAL	15 N·M	14 N·M	8.5 N·M	5 N·M	18 N·M	18 N·M	20 N·M	20 N·M
TORQUE – NOM BIDIRECTIONAL	9 N·M	9 N·M	8.5 N·M	5 N·M	9 N·M	9 N·M	9 N·M	9 N·M
TORQUE – MAX OUTPUT	24 N·M	22 N·M	13.5 N·M	8 N·M	29 N·M	29 N·M	32 N·M	32 N·M
MOMENT OF INERTIA (g-cm ²)	21	19	15	14	25	18	25	18
WORKING TEMPERATURE (°C)	-25 TO +90	-25 TO +90	-25 TO +90	-25 TO +90	-25 TO +90	-25 TO +90	-25 TO +90	-25 TO +90
LENGTH	93.5 MM	93.5 MM	93.5 MM	93.5 MM	106.5 MM	106.5 MM	119 MM	119 MM
BACKLASH (arcmin)	< 15	< 15	< 15	< 15	< 19	< 19	< 22	< 22
TORSIONAL STIFFNESS (Nm/arcmin)	1	1	0.9	0.7	1	1	1	1
EFFICIENCY (%)	98	98	97	95	96	95	92	90

TECHNICAL DETAILS (IMPERIAL UNITS):								
GEAR RATIO	4:1	5:1	7:1	10:1	15:1	25:1	60:1	100:1
FRAME SIZE	1.57 in	1.57 in	1.57 in	1.57 in	1.57 in	1.57 in	1.57 in	1.57 in
OUTPUT SHAFT DIAMETER	0.39 in	0.39 in	0.39 in	0.39 in	0.39 in	0.39 in	0.39 in	0.39 in
INPUT SPEED	5000 RPM	5000 RPM	5000 RPM	5000 RPM	5000 RPM	5000 RPM	5000 RPM	5000 RPM
WEIGHT (LBS)	0.77	0.77	0.77	0.77	1.43	1.43	1.43	1.43
IP RATING	IP54	IP54	IP54	IP54	IP54	IP54	IP54	IP54
TORQUE – NOM UNIDIRECTIONAL	132.7 in·lbs	123.9 in·lbs	75.2 in·lbs	44.3 in·lbs	159.3 in·lbs	159.3 in·lbs	177 in·lbs	177 in·lbs
TORQUE – NOM BIDIRECTIONAL	79.7 in·lbs	79.7 in·lbs	75.2 in·lbs	44.3 in·lbs	79.7 in·lbs	79.7 in·lbs	79.7 in·lbs	79.7 in·lbs
TORQUE – MAX OUTPUT	212.4 in·lbs	194.7 in·lbs	119.5 in·lbs	70.81 in·lbs	256.7 in·lbs	256.7 in·lbs	283.2 in·lbs	283.2 in·lbs
MOMENT OF INERTIA (oz-in-sec ²)	0.000297	0.000269	0.000212	0.000198	0.000354	0.000255	0.000354	0.000255
WORKING TEMPERATURE (°F)	-13 TO 194	-13 TO 194	-13 TO 194	-13 TO 194	-13 TO 194	-13 TO 194	-13 TO 194	-13 TO 194
LENGTH	3.68 in	3.68 in	3.68 in	3.68 in	4.19 in	4.19 in	4.68 in	4.68 in
BACKLASH (arcmin)	< 15	< 15	< 15	< 15	< 19	< 19	< 22	< 22
TORSIONAL STIFFNESS (inlb/arcmin)	8.9	8.9	7.9	6.2	8.9	8.9	8.9	8.9
EFFICIENCY (%)	98	98	97	95	96	95	92	90

APPROVALS	DATE	 APPLIED MOTION PRODUCTS, INC.
DRAWN NEIL DEY	3/14/18	
CHECKED R.JONEZ	3/16/18	
APPROVED J.KORDIK	3/16/18	OUTLINE, GEAR HEAD, 40MM
COMPUTER DATA BASE DRAWING		B DWG NO. 40PEXXX-SSAE2 REV D
SCALE: NONE		SHEET 2 OF 2