

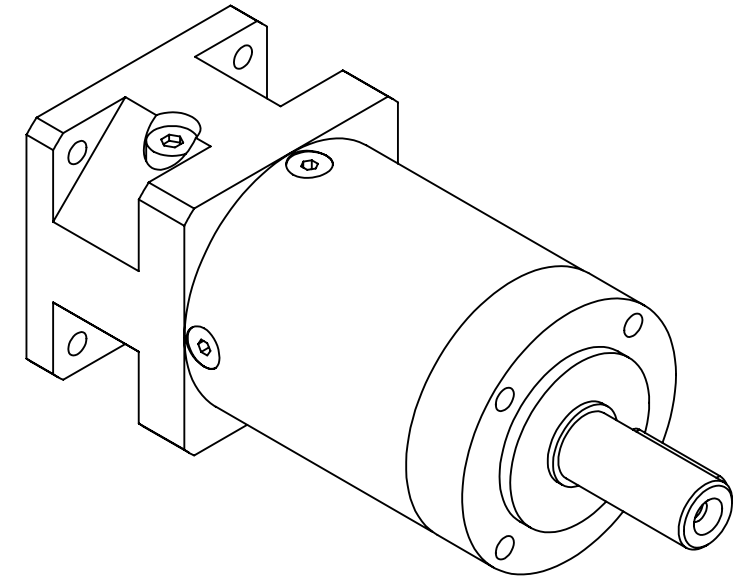
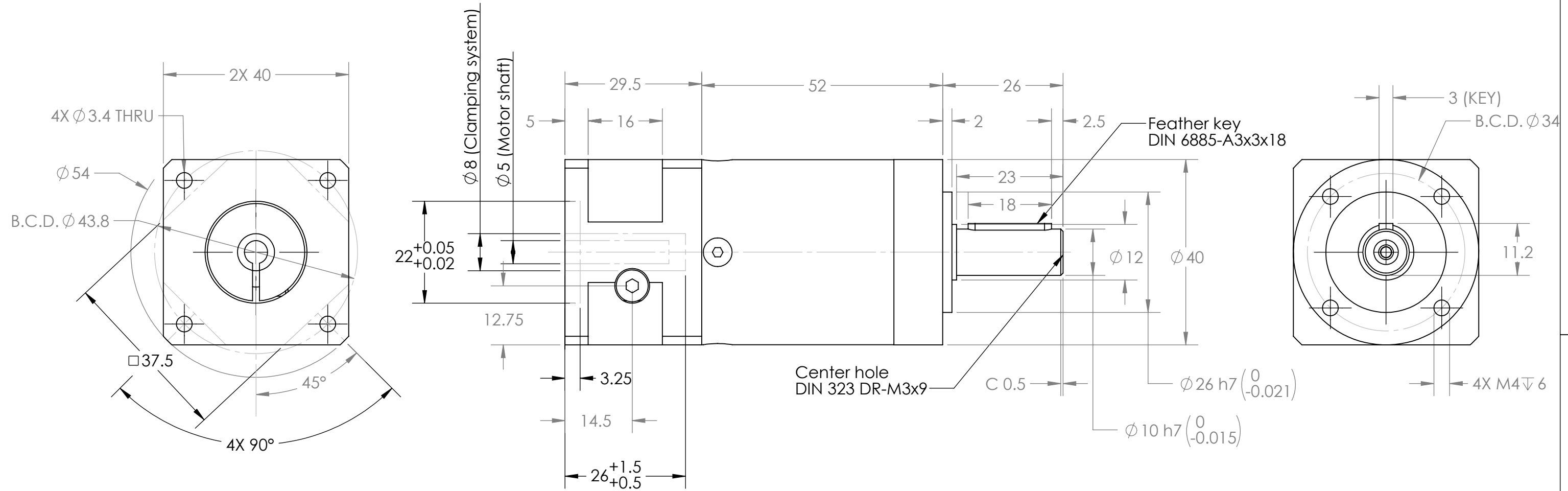
4


3

2

1

REVISIONS				
ECO #	REV.	DESCRIPTION	DATE	APPROVED
8754	A	INITIAL RELEASE	2/14/22	K. KESLER



 <p>Applied Motion Products A MOONS' COMPANY</p> <p>PROPRIETARY AND CONFIDENTIAL</p> <p>THE INFORMATION CONTAINED IN THIS DRAWING IS THE SOLE PROPERTY OF APPLIED MOTION PRODUCTS. ANY REPRODUCTION IN PART OR AS A WHOLE WITHOUT THE WRITTEN PERMISSION OF APPLIED MOTION PRODUCTS IS PROHIBITED.</p>	UNLESS OTHERWISE SPECIFIED:	NAME	DATE	TITLE:			
	DIMENSIONS ARE IN MILLIMETERS	DRAWN	R.BUI		2/9/22	40mm PE GEARHEAD	
	TOLERANCES:	CHECKED	K.KESLER	2/9/22	SIZE		DWG. NO.
	ANGULAR: ± 0.5 ONE PLACE DECIMAL ± 0.25 TWO PLACE DECIMAL ± 0.13 THIRD ANGLE PROJECTION	COMMENTS:			B	40PE025-SSAE4	A
MATERIAL				SCALE: 1:1	WEIGHT:	SHEET 1 OF 2	
FINISH							
DO NOT SCALE DRAWING							

4

3

2

1

4

3

2

1

GEARHEAD SPECIFICATIONS

RATIO:	-	25:1
NOMINAL OUTPUT TORQUE:	Nm	18
NOMINAL OUTPUT TORQUE FOR 10,000,000 LOAD CHANGES:	Nm	9
MAX OUTPUT TORQUE FOR 30,000 OUTPUT SHAFT ROTATIONS:	Nm	29
EMERGENCY STOP TORQUE:	Nm	36
NOMINAL INPUT SPEED	RPM	5000
MAX MECHANICAL INPUT SPEED:	RPM	18000
TORSIONAL BACKLASH:	arcmin	<19
TORSIONAL STIFFNESS:	Nm/arcmin	1
EFFICIENCY:	%	95
RUNNING NOISE:	dB(A)	58
MASS MOMENT OF INERTIA:	kg-cm ²	0.018
SERVICE LIFE (L10h):	HOURS	30,000
OPERATING TEMPERATURE:	°C	-25 TO +90
PROTECTION CLASS:	-	IP54
LUBRICATION:	-	STANDARD LUBRICATION (GREASE)
INSTALLATION POSITION:	-	ANY
CLAMP SCREW TIGHTENING TORQUE:	Nm	2
MAX RADIAL FORCE (L10 LIFE = 20,000 HOURS):	N	200
MAX AXIAL FORCE (L10 LIFE = 20,000 HOURS):	N	200



PROPRIETARY AND CONFIDENTIAL

THE INFORMATION CONTAINED IN THIS DRAWING IS THE SOLE PROPERTY OF APPLIED MOTION PRODUCTS. ANY REPRODUCTION IN PART OR AS A WHOLE WITHOUT THE WRITTEN PERMISSION OF APPLIED MOTION PRODUCTS IS PROHIBITED.

UNLESS OTHERWISE SPECIFIED:
DIMENSIONS ARE IN MILLIMETERS
TOLERANCES:
ANGULAR: ± 0.5
ONE PLACE DECIMAL ± 0.25
TWO PLACE DECIMAL ± 0.13
THIRD ANGLE PROJECTION

MATERIAL

FINISH

DO NOT SCALE DRAWING

	NAME	DATE
DRAWN	R. BUI	2/9/22
CHECKED	K. KESLER	2/9/22

COMMENTS:

TITLE:

40mm PE GEARHEAD

SIZE	DWG. NO.	REV
B	40PE025-SSAE4	A

SCALE: 1:1	WEIGHT:	SHEET 2 OF 2

4

3

2

1

B

A

B

A