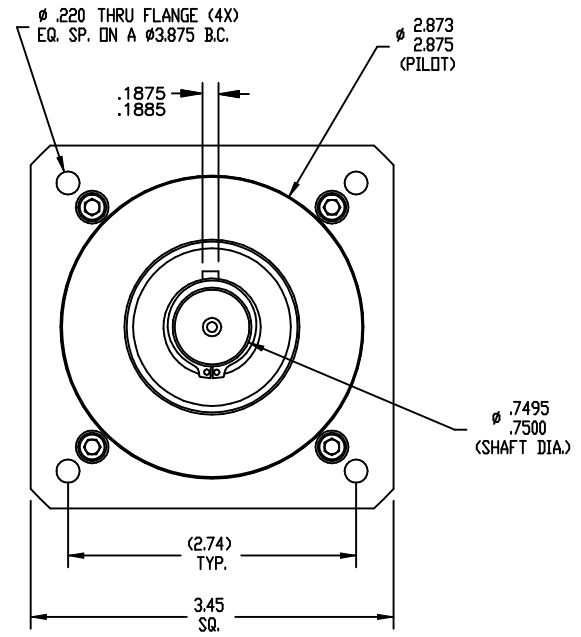
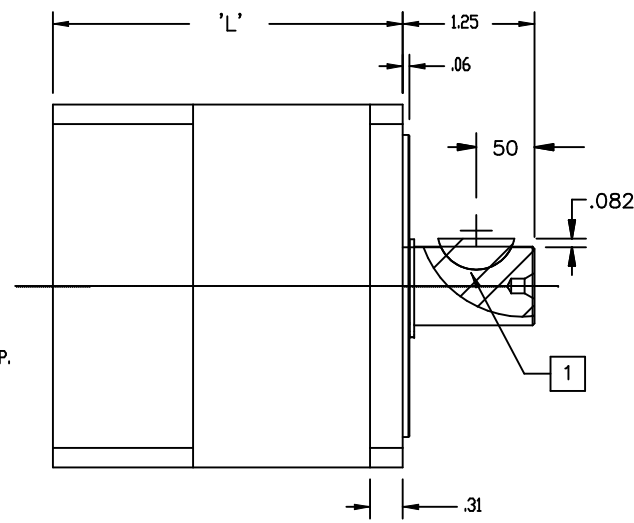
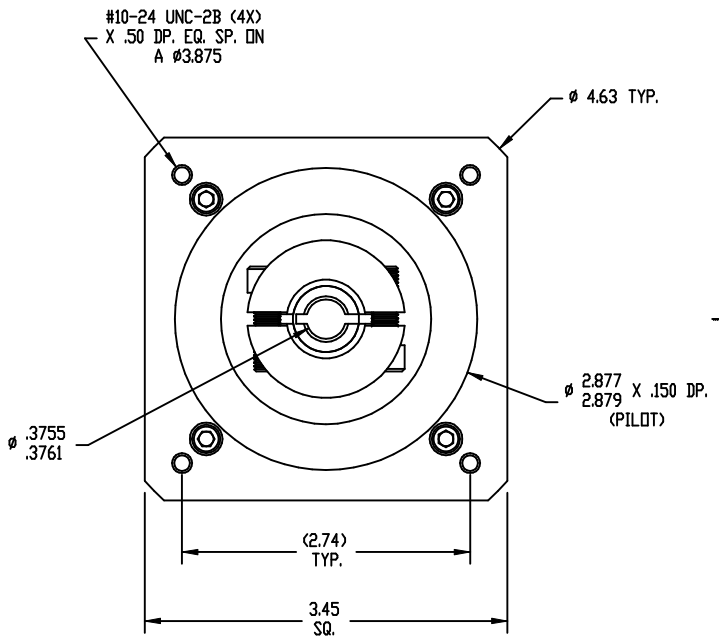


REVISIONS			
REV	DESCRIPTION	DATE	APPROVED
A	INITIAL RELEASE ECO 7249	1/8/16	J KORDIK

GEAR HEAD LENGTH	
PART NUMBER	'L'
34VL-1STAGE	3.33
34VL-2STAGE	4.26



GEAR RATIOS OFFERED		
GEAR HEAD:	RATIO:	DASH NO.
34VL-1STAGE	4:1	-004
	5:1	-005
	7:1	-007
	10:1	-010
34VL-2STAGE	15:1	-015
	20:1	-020
	25:1	-025
	40:1	-040
	50:1	-050
	70:1	-070
	100:1	-100

NOTES: UNLESS OTHERWISE SPECIFIED

- 1 #606 WOODRUFF KEY.
2. FOR TECHNICAL DETAILS, CONTACT APPLIED MOTION PRODUCTS.
3. SOME GEAR HEADS REQUIRE A CUSTOM ADAPTER, CHECK WHEN ORDERING.

<b>TOLERANCES</b> DECIMALS: INCH (MM) X.XXX = ±.005 (0.013) X.XX = ±.01 (0.25) X.X = ±0.1 (2.5) ANGLES: MACH. = ±.5° CHAM. = ±5°	<b>THIRD ANGLE PROJECTION</b> 		 <b>APPLIED MOTION PRODUCTS, INC.</b> <b>OUTLINE, GEAR HEAD,</b> <b>VL34, SINGLE AND DOUBLE STAGE</b>
	APPROVALS DRAWN R JONEZ CHECKED APPROVED	DATE 11/3/15	
COMPUTER DATA BASE DRAWING	SCALE: NONE		SHEET 1 OF 1