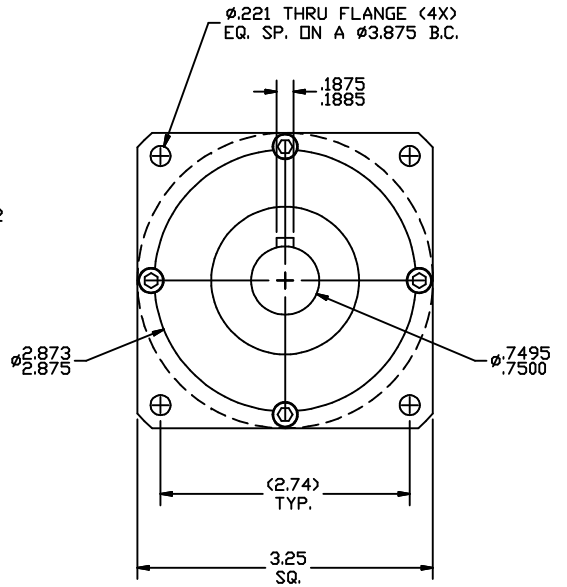
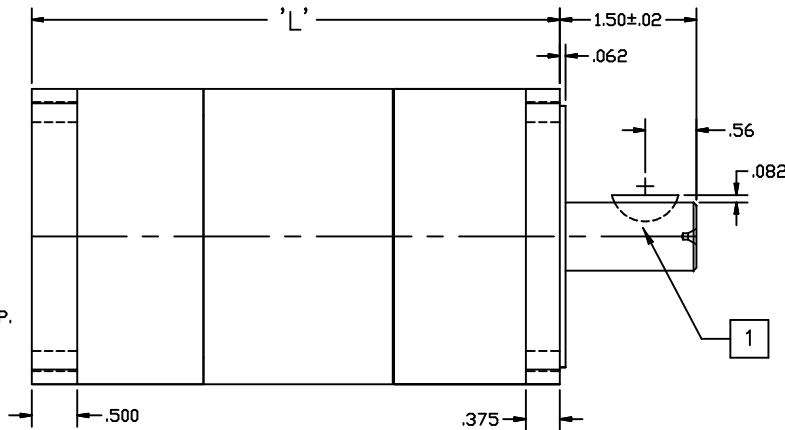
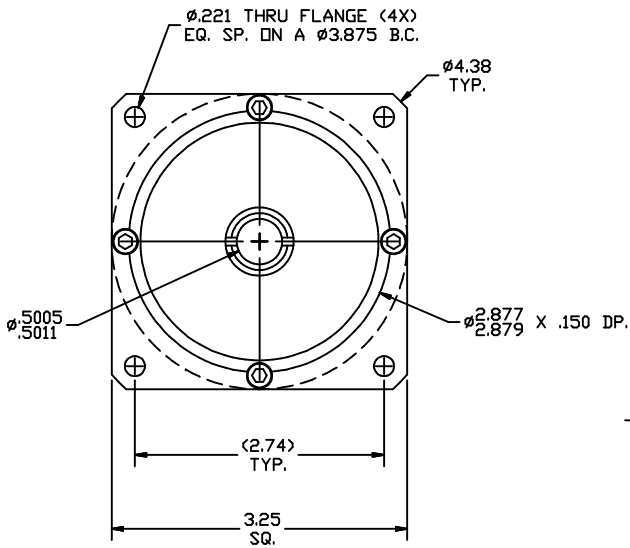


REVISIONS			
REV	DESCRIPTION	DATE	APPROVED
A	INITIAL RELEASE ECO 7249	1/11/16	J KORDIK

GEAR HEAD LENGTH	
PART NUMBER	'L'
34PN-1STAGE	4.56
34PN-2STAGE	5.83



NOTES: UNLESS OTHERWISE SPECIFIED

- 1 #606 WOODRUFF KEY.
- 2. FOR TECHNICAL DETAILS, CONTACT APPLIED MOTION PRODUCTS.
- 3. SOME GEAR HEADS REQUIRE A CUSTOM ADAPTER, CHECK WHEN ORDERING.

GEAR RATIOS OFFERED		
GEAR HEAD:	RATIO:	DASH NO.
34PN-1STAGE	5.5:1	-0055
	10:1	-010
34PN-2STAGE	28:1	-028
	70:1	-070
	100:1	-100

TOLERANCES	THIRD ANGLE PROJECTION	
DECIMALS: INCH (MM) X.XXX = ±0.005 (0.013) X.XX = ±0.01 (0.25) X.X = ±0.1 (2.5)		
ANGLES: MACH. = ±5° CHAM. = ±5°	APPROVALS	DATE
COMPUTER DATA BASE DRAWING	DRAWN R JONEZ	11/3/15
	CHECKED	
	APPROVED	

**APPLIED MOTION PRODUCTS, INC.**

**OUTLINE, GEAR HEAD,  
PN34, SINGLE AND DOUBLE STAGE**

B	DWG NO. 34PN-XXX	REV A
SCALE: FULL		SHEET 1 OF 1