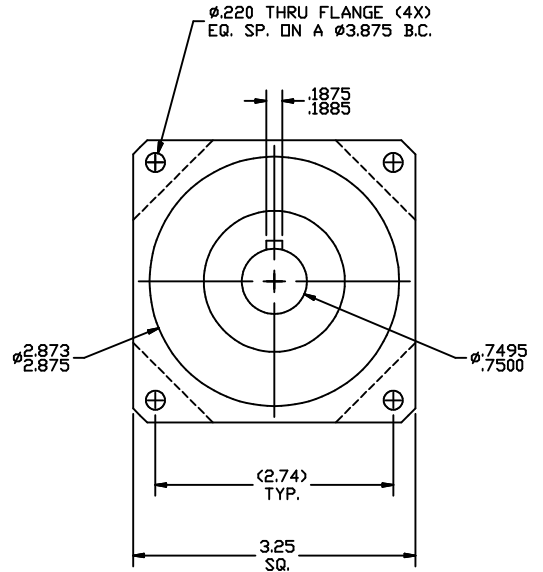
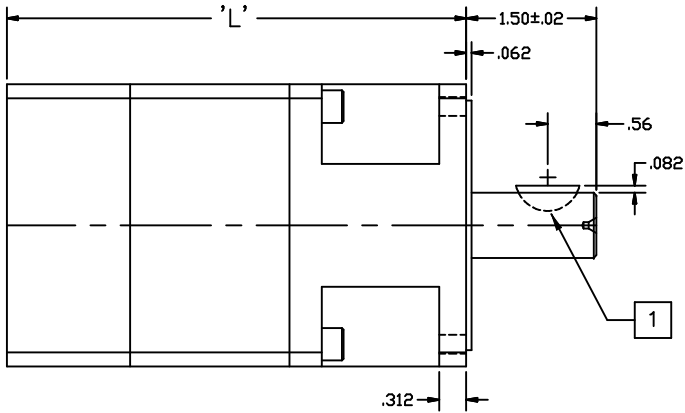
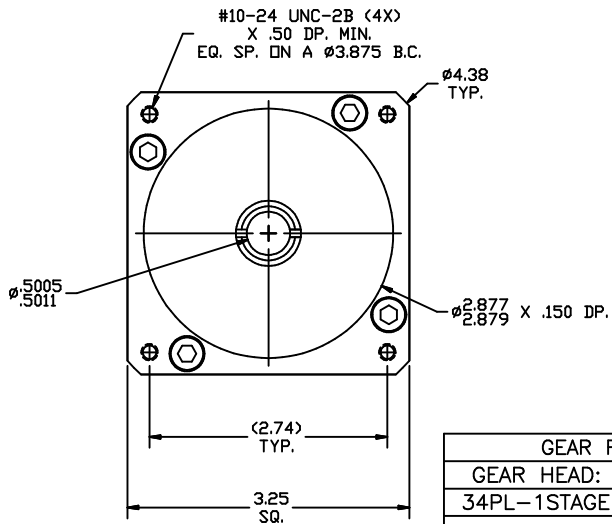


REVISIONS			
REV	DESCRIPTION	DATE	APPROVED
A	INITIAL RELEASE ECO 7249	1/8/16	J KORDIK

GEAR HEAD LENGTH	
PART NUMBER	'L'
34PL-1STAGE	4.19
34PL-2STAGE	5.31



GEAR RATIOS OFFERED		
GEAR HEAD:	RATIO:	DASH NO.
34PL-1STAGE	3:1	-003
	4:1	-004
	5:1	-005
	5.5:1	-0055
	7:1	-007
	10:1	-010
34PL-2STAGE	15:1	-015
	16:1	-016
	20:1	-020
	22:1	-022
	25:1	-025
	28:1	-028
	30:1	-030
	40:1	-040
	49:1	-049
	50:1	-050
	55:1	-055
	70:1	-070
	100:1	-100

NOTES: UNLESS OTHERWISE SPECIFIED

- #606 WOODRUFF KEY.
- FOR TECHNICAL DETAILS, CONTACT APPLIED MOTION PRODUCTS.
- SOME GEAR HEADS REQUIRE A CUSTOM ADAPTER, CHECK WHEN ORDERING.

TOLERANCES		THIRD ANGLE PROJECTION		APPLIED MOTION PRODUCTS, INC.	
DECIMALS: INCH (MM) X.XXX = ±.005 (0.013) X.XX = ±.01 (0.25) X.X = ±0.1 (2.5) ANGLES: MACH. = ±.5° CHAM. = ±5°				<b>OUTLINE, GEAR HEAD, PL34, SINGLE AND DOUBLE STAGE</b>	
APPROVALS DRAWN R JONEZ CHECKED		DATE 11/3/15		B DWG NO. 34PL-XXX REV A	
COMPUTER DATA BASE DRAWING		APPROVED		SCALE: FULL SHEET 1 OF 1	