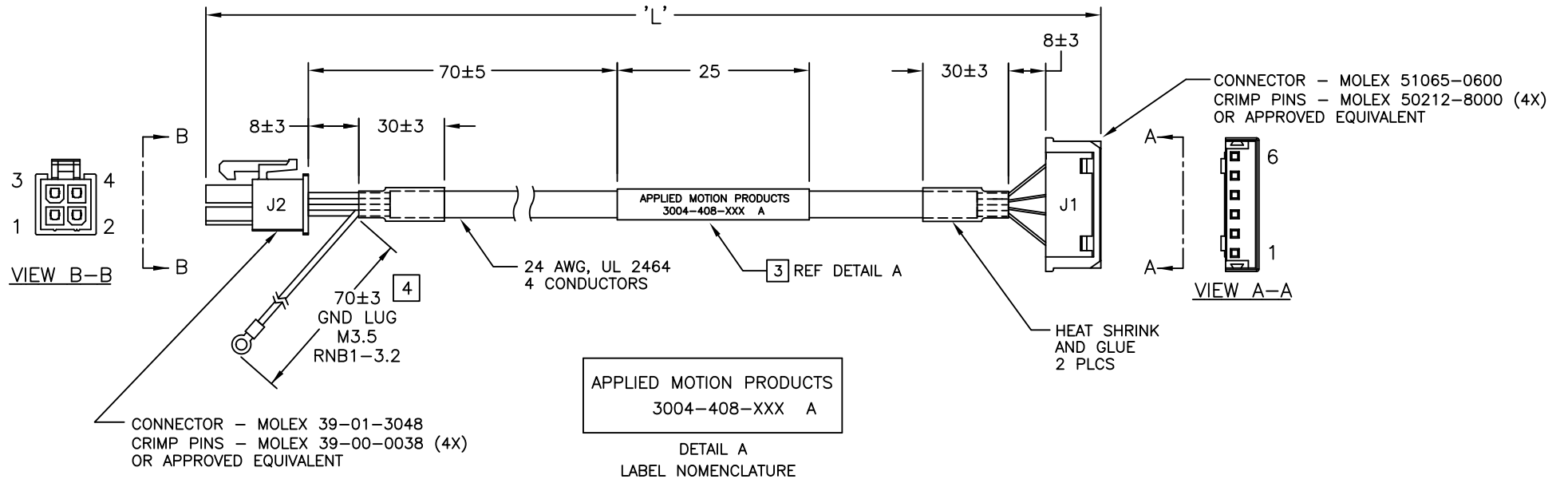


REVISIONS			
REV	DESCRIPTION	DATE	APPROVED
A	INITIAL RELEASE ECO 8340	10/1/19	J KORDIK



XXX	LENGTH='L'	PART NUMBER/REV
1M	1000+/-20MM 39.4"/-1.0"	3004-408-1M A
3M	3000+/-50MM 118"/-2.0"	3004-408-3M A
5M	5000+/-50MM 197"/-2.0"	3004-408-5M A
10M	10000+/-100MM 393.7"/-4.0"	3004-408-10M A

J1 PIN	LEAD COLOR	SIGNAL/LABEL	J2 PIN
1	BLUE	B-	1
3	RED	B+	2
4	GREEN	A-	3
6	BLACK	A+	4

NOTES: UNLESS OTHERWISE SPECIFIED

- THIS CABLE IS MANUFACTURED IN COMPLIANCE WITH THE CURRENT EC RoHS DIRECTIVE.
- THIS CABLE INTENDED FOR USE WITH StepSERVO MOTORS AND SSDC StepSERVO DRIVES.
- REFER TO TABULATION CHART FOR DASH NUMBER, REVISION, WIRE COLOR AND SIGNAL NAME.
- YELLOW/GREEN 18 AWG UL1007 WIRE SOLDERED TO SHIELD, WITH TERMINAL RING FOR FRAME GROUND.

TOLERANCES		THIRD ANGLE PROJECTION		APPROVALS		DATE	
DECIMALS: MM (INCH)				DRAWN		9/16/19	
X.XXX = ±0.013 (.005)				R.JONEZ		CHECKED	
X.XX = ±0.25 (.01)				APPROVED		10/1/19	
X.X = ±2.5 (0.1)				J.KORDIK			
ANGLES:							
MACH. = ±.5°							
CHAM. = ±5°							
COMPUTER DATA BASE DRAWING							

		MOTOR POWER CABLE	
		SSDC StepSERVO EXTENSION	
B	DWG NO.	3004-408-XXX	REV A
SCALE: NONE		SHEET 1 OF 1	