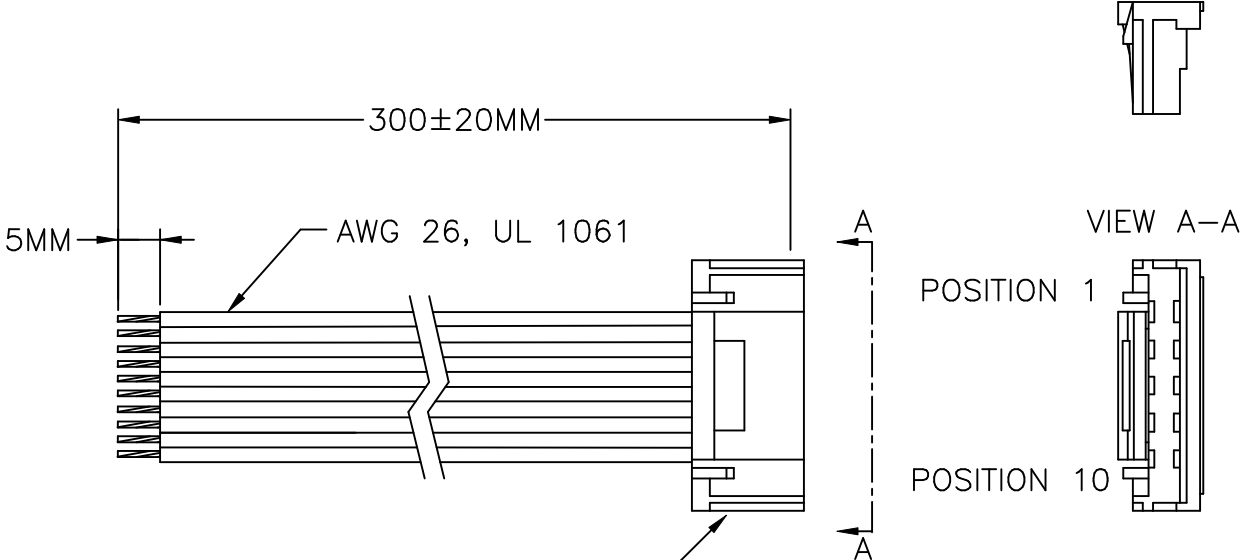


CONNECTION TABLE		
PIN	LEAD COLOR	SIGNAL
1	PURPLE	Y2-
2	ORANGE	Y2+
3	WHITE	Y1-
4	BROWN	Y1+
5	YELLOW	X4
6	GRAY	X3
7	GREEN	X2
8	BLUE	X1
9	RED	V+
10	BLACK	V-

REVISIONS			
REV	DESCRIPTION	DATE	APPROVED
A	INITIAL RELEASE ECO 7696	8/8/17	J KORDIK



TERMINAL HOUSING: JST ZER-10V-S OR EQUIV.
 CRIMP JST SSSL-002T-P0.3 OR EQUIV. (10X)

TOLERANCES DECIMALS: MM (INCH) X.XXX = ±0.013 (.005) X.XX = ±0.25 (.01) X.X = ±2.5 (0.1) ANGLES: MACH. = ±.5° CHAM. = ±5°	THIRD ANGLE PROJECTION 				
	APPROVALS DRAWN <i>R.JONEZ</i> CHECKED	DATE 8/8/17	TSM11X-XRM-H01 LEAD ASSEMBLY		
	COMPUTER DATA BASE DRAWING	APPROVED	B	DWG NO. 3004-358	REV A
	SCALE: NTS		SHEET 1		