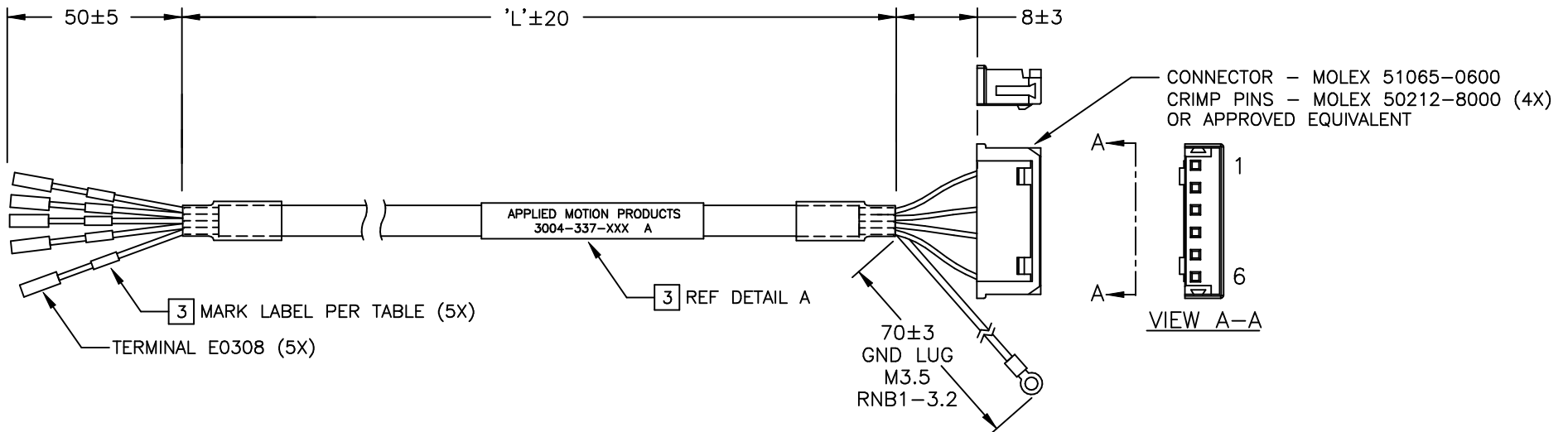


REVISIONS			
REV	DESCRIPTION	DATE	APPROVED
A	INITIAL RELEASE ECO 7494	11/14/16	J.KORDIK



APPLIED MOTION PRODUCTS  
3004-337-XXX A

DETAIL A  
LABEL NOMENCLATURE

CABLE/CONNECTOR TABLE		
PIN NO	LEAD COLOR	SIGNAL/LABEL
1	BLUE	B-
3	RED	B+
4	GREEN	A-
6	BLACK	A+
-	YELLOW/GREEN	SHIELD

TABULATION CHART			
XXX	LENGTH='L'	PART NUMBER/REV	
1M	39.4" +/- 2.0"	3004-337-1M	A
3M	118" +/- 3.0"	3004-337-3M	A
5M	197" +/- 4.0"	3004-337-5M	A
10M	393.7" +/- 4.0"	3004-337-10M	A

**NOTES: UNLESS OTHERWISE SPECIFIED**

1. THIS CABLE IS MANUFACTURED IN COMPLIANCE WITH THE CURRENT EC RoHS DIRECTIVE.
2. THIS CABLE INTENDED FOR USE WITH STEP-SERVO MOTORS AND SS-EC STEP-SERVO DRIVES.
- 3 REFER TO TABULATION CHART FOR DASH NUMBER, REVISION., WIRE COLOR AND SIGNAL NAME.
4. CABLE IS BLACK, FLEXABLE, AWG24 CONDUCTORS, SHIELDED, UL1007, UL 2517.

TOLERANCES	THIRD ANGLE PROJECTION	
DECIMALS: MM (INCH) X.XXX = ±0.013 (.005) X.XX = ±0.25 (.01) X.X = ±2.5 (0.1)		
ANGLES: MACH. = ±5° CHAM. = ±5°	APPROVALS	DATE
COMPUTER DATA BASE DRAWING	DRAWN <i>R.JONEZ</i>	9/7/16
	CHECKED	
	APPROVED	

<b>MOTOR POWER CABLE SS-EC STEP-SERVO EXTENSION</b>		
B	DWG NO. 3004-337-XXX	REV A
SCALE: NONE	SHEET 1 OF 1	