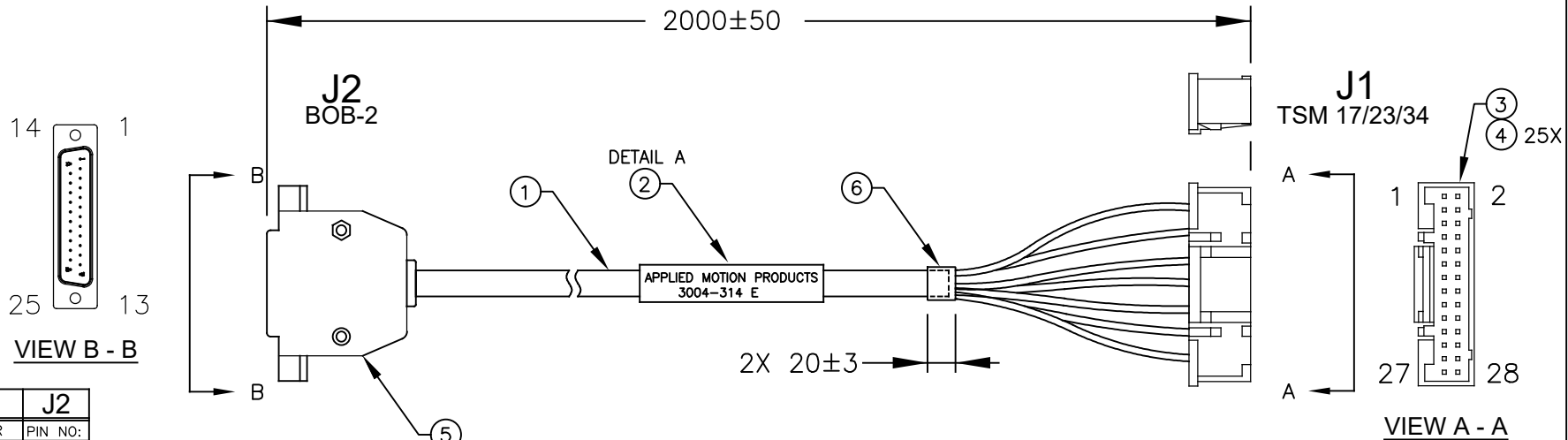


NOTES: UNLESS OTHERWISE SPECIFIED

1. THIS CABLE IS MANUFACTURED IN COMPLIANCE WITH THE CURRENT EC RoHS DIRECTIVE.
2. TEST 100% FOR OPENS (>1 OHMS MAX) AND SHORTS (5 MEGOHMS MIN)
3. FOR SMALL QUANTITIES, MAKE THIS CABLE BY ADDING THE DB25 CONNECTOR AND SHELL TO A 3004-318-2M CABLE AND RELABELING IT.

REVISIONS			
REV	DESCRIPTION	DATE	APPROVED
A	INITIAL RELEASE ECO 7183	4/1/15	J KORDIK
B	REVISE WIRE COLORS ECO 7185	4/6/15	J KORDIK
C	REVISE TO BOB-2 ECO 7196	4/22/15	J KORDIK
D	ADD ALT CABLE ECO 7219	6/22/15	J KORDIK
E	REVISE DRAWING ECO 7819	1/23/18	J KORDIK



J1			J2	
PIN NO:	SIGNAL	WIRE COLOR	PIN NO:	
1	X1+	BLUE/WHITE	1	
2	X1-	BLUE/BLACK	2	
3	X2+	GREEN/WHITE	3	
4	X2-	GREEN/BLACK	4	
5	X3	BLUE	5	
6	X4	VIOLET	6	
7	X5	YELLOW	7	
8	X6	GREEN	8	
9	XCOM	ORANGE	9	
10	+5V	RED	10	
11	AIN	WHITE	11	
12	GND	BLACK	12	
13	X7+	BROWN/WHITE	13	
14	X7-	BROWN/BLACK	14	
15	X8+	GREY/WHITE	15	
16	X8-	GREY/BLACK	16	
17	Y1	BROWN	17	
18	Y2	GREY	18	
19	Y3	PINK	19	
20	YCOM	YELLOW/GREEN	20	
21	Y4+	VIOLET/WHITE	21	
22	Y4-	VIOLET/BLACK	22	
23	Z+	YELLOW/WHITE	23	
24	Z-	N/C	N/C	
25	B+	ORANGE/WHITE	24	
26	B-	N/C	N/C	
27	A+	RED/WHITE	25	
28	A-	N/C	N/C	

APPLIED MOTION PRODUCTS
3004-314 E

LABEL DETAIL A

BILL OF MATERIALS						
ITEM	PART NUMBER	DESCRIPTION	QTY	UOM	MFR	
1	20276-004 OR EQUIV.	CABLE, 25 CONDUCTOR, 26AWG	A/R	EA	UL 20276 OR EQUIV.	
2	LAT-27-361	LABEL, 1.875" X 3.167"	1	EA	BRADY OR EQUIV.	
3	PUDP-28V-S	HOUSING, CONNECTOR, 2MM PITCH	1	EA	JST OR EQUIV.	
4	SPUD-001T-P0.5	TERMINALS, CRIMP	25	EA	JST OR EQUIV.	
5	40-9725H	D-SUB BACKSHELLS HOOD PLASTIC 25 POS.	1	EA	CINCH CONNECTIVITY	
6	FIT-221-1/4-BLK	SHRINK TUBE	A/R	EA	ALPHA OR EQUIV.	
7	171-025-103L001	CONN D-SUB PLUG 25POS PNL MNT	1	EA	NORCOMP INC.	

TOLERANCES		THIRD ANGLE PROJECTION		APPLIED MOTION PRODUCTS, INC.	
DECIMALS: MM X.XXX = ±0.013 X.XX = ±0.25 X.X = ±2.5 ANGLES: MACH. = ±.5° CHAM. = ±5°				CABLE, BOB-2 TO TSM CABLE	
COMPUTER DATA BASE DRAWING		APPROVALS: <i>N.DEY</i> 1/19/18 CHECKED: <i>K.KESLER</i> 1/23/18 APPROVED: <i>J.KORDIK</i> 1/23/18			
DWG NO. 3004-314				SCALE: NONE	SHEET 1 OF 1