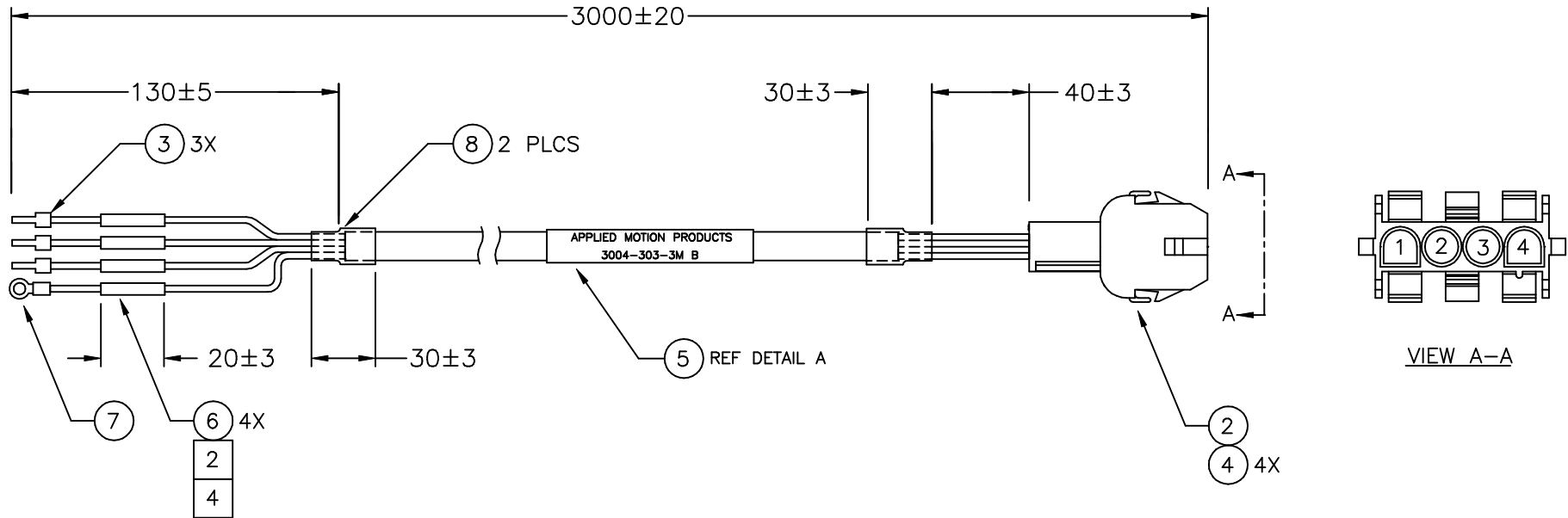


**NOTES: UNLESS OTHERWISE SPECIFIED**

1. THIS CABLE IS MANUFACTURED IN COMPLIANCE WITH THE CURRENT EC RoHS DIRECTIVE.
2. MARK EACH LABEL WITH SIGNAL NAME SHOWN IN CABLE CONNECTOR TABLE.
3. CABLE TO BE 4 CONDUCTORS, 18 AWG, UL 2517 RATED, 300V.
4. SHIELD TO BE CONNECTED TO GROUND WIRE.

REVISIONS			
REV	DESCRIPTION	DATE	APPROVED
A	INITIAL RELEASE ECO 7143	3/2/15	J KORDIK
B	REVISE RoHS NOTE PER ECO 7451	6/13/16	J KORDIK



LABEL NOMENCLATURE  
DETAIL A

APPLIED MOTION PRODUCTS  
3004-303-3M B

CABLE/CONNECTOR TABLE		
PIN NO	LEAD COLOR	SIGNAL 2
1	RED	U
2	YELLOW	V
3	BLUE	W
4	YEL/GRN	PE
DRAIN	BLACK	SHLD/GND

8	2	FIT 221-3/8-BLK	SHRINK TUBING, DIA 3/8 IN, LENGTH AS NEEDED	ALLIED
7	1	34105	RING TERMINAL, #6 STUD, UNINSULATED	AMP OR EQUIVALENT
6	4	LAT-15-361-1	LABEL, IDENTIFICATION, SMALL	BRADY OR EQUIVALENT
5	1	LAT-27-361	LABEL, IDENTIFICATION	BRADY OR EQUIVALENT
4	4	350570-1	CONTACT, CRIMP	TE OR EQUIVALENT
3	3	E1008	TERMINAL, WIRE END	KST
2	1	350780-1	CONN., 4 POS	TE OR EQUIVALENT
1	1	666-2109	CABLE, 4 CONDUCTOR (WASATCH OR EQUIV.)	WASATCH / MOONS'
ITEM NO.	QTY REQD	PART OR IDENTIFYING NO.	NOMENCLATURE OR DESCRIPTION	MFG.

J0400-355-4-000
J0400-305-4-000
J0400-354-4-000
J0400-304-4-000

USED ON

COMPUTER DATA  
BASE DRAWING

TOLERANCES		THIRD ANGLE PROJECTION	
APPROVALS		DATE	
DRAWN <i>R.JONEZ</i>		3/2/15	
CHECKED			
APPROVED			

APPLIED MOTION PRODUCTS, INC.

**POWER CABLE - 400 WATT  
J-SERIES SERVO MOTORS**

B DWG NO. 3004-303-3M REV B

SCALE: NONE SHEET 1 OF 1