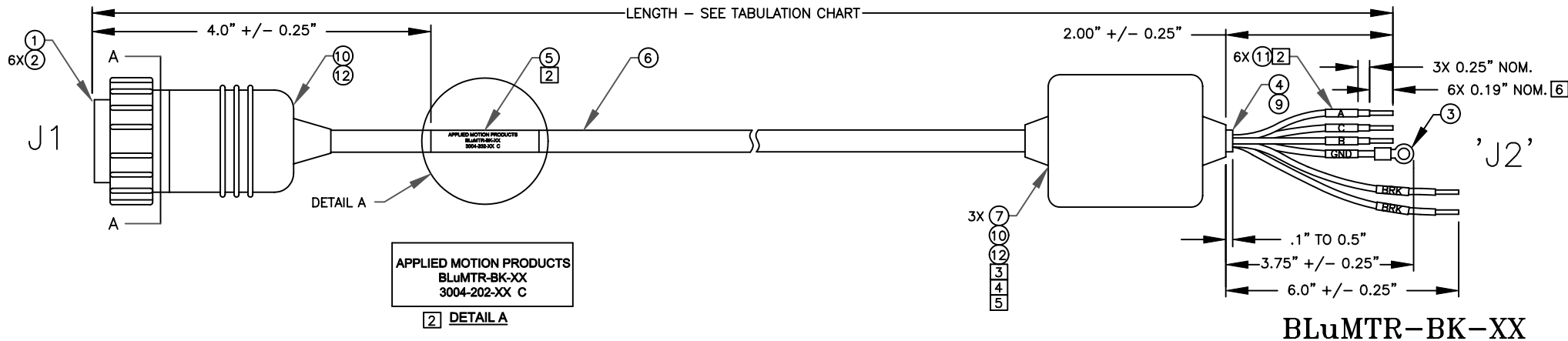


**NOTES: UNLESS OTHERWISE SPECIFIED**

1. VENDOR TO INSPECT WIRE TERMINATIONS AND POSITION TO COLOR PRIOR TO ASSY.
- 2 SECURELY FASTEN LABELS. LABELS MUST NOT MOVE OR ROTATE. SEE TABULATION CHARTS FOR MARKINGS.
- 3 WRAP THREE WIRES THROUGH TOROID CORE 5 EA FULL TURNS AND COVER WITH OVERMOLD AS SHOWN IN APPROX. LOCATION.
- 4 SHIELD TO BE CONNECTED TO GND WIRE. DO NOT ROUTE THROUGH TOROID. COVER WITH OVERMOLD.
- 5 DO NOT ROUTE TWO 'BRK' WIRES THROUGH TOROID. COVER WITH OVERMOLD.
- 6 STRIP BACK TO DIMENSION SHOWN AND TIN.

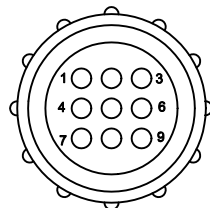
REVISIONS			
REV	DESCRIPTION	DATE	APPROVED
A	INITIAL RELEASE ECO 5268	2/15/06	R.HAZELWOOD
B	CABLE MTL CHG ECO 5268	2/15/06	
C	REVISED PER ECO 5745	5/22/08	J KORDIK



**2 TABULATION CHARTS**

CABLE/CONNECTOR		
J1	LEAD COLOR	'J2'
PIN #	LEAD COLOR	LABEL
1	RED	A
2	WHITE	B
3	BLACK	C
4	GREEN/YELLOW	GND
5	YELLOW	BRK
6	BLUE	BRK
7	N/C	N/A
8	N/C	N/A
9	N/C	N/A

LENGTH TABLE			
XX	LENGTH	PART NUMBER/REV	CABLE
04	48.0" +/- 2.0"	3004-197-04 D	BLUMTR-FA-04
10	120.0" +/- 3.0"	3004-197-10 D	BLUMTR-FA-10
20	240.0" +/- 4.0"	3004-197-20 D	BLUMTR-FA-20
XX	XX +/- 1.5%	-	-



VIEW A-A  
VIEW FROM TERMINATION SIDE

BILL OF MATERIALS					
ITEM	PART NUMBER	DESCRIPTION	QTY	UOM	MFR
1	206708-1	PLUG, CPC 9 POSITION, SHELL SIZE 13	1	EA	AMP
2	66100-8 OR 1-66101-8	SOCKET, CONTACT 18 - 16 AWG	6	EA	AMP
3	8-34105-1	RING TERMINAL, 22-16 AWG, #8 STUD, UNINSULATED	1	EA	AMP OR EQUIV.
4	FIT-221-1/4-BLK	SHRINK TUBING, 1/4, BLK	1	IN	ALPHA OR EQUIV.
5	LAT-27-361	LABEL, 1.875" X 3.167"	1	EA	BRADY
6	666-2122	CABLE, 6 CONDUCTOR SHIELDED, PVC JACKET	XX	FT	WASATCH CABLE
7	ZJ-42507-TC	TOROID FERRITE CORE	3	EA	MAGI
8					
9	EPS-300-1/2	SHRINK TUBING, 1/2 ID, ADHESIVE, BLK	.5	IN	3M OR EQUIV.
10	CD-02698	OVERMOLD, BLUE (PANTONE 7462U), GLOSSY	AR	LB	RIMTEC OR EQUIV.
11	LAT-15-361-1	LABEL, 0.50" X 0.75"	6	EA	BRADY
12	3779-PG 1.0" X 3.0"	HOT MELT	AR	LB	3M OR EQUIV.
13					

TOLERANCES		THIRD ANGLE PROJECTION	
DECIMALS: MM (INCH) X.XXX = ±0.01 (.005) X.XX = ±0.10 (.010) X.X = ±0.20 (.020) ANGLES: MACH. = ±5° CHAM. = ±5°			
APPROVALS DRAWN <b>R.JONEZ</b> CHECKED <b>M.SALAS</b> APPROVED		DATE 2/15/06 2/22/08	
COMPUTER DATA BASE DRAWING		APPLIED MOTION PRODUCTS, INC. <b>ALPHA MOTOR POWER CABLE EXTENSION</b>	
B		DWG NO. <b>3004-202-XX</b> REV <b>C</b>	
SCALE: NONE		SHEET 1 OF 1	