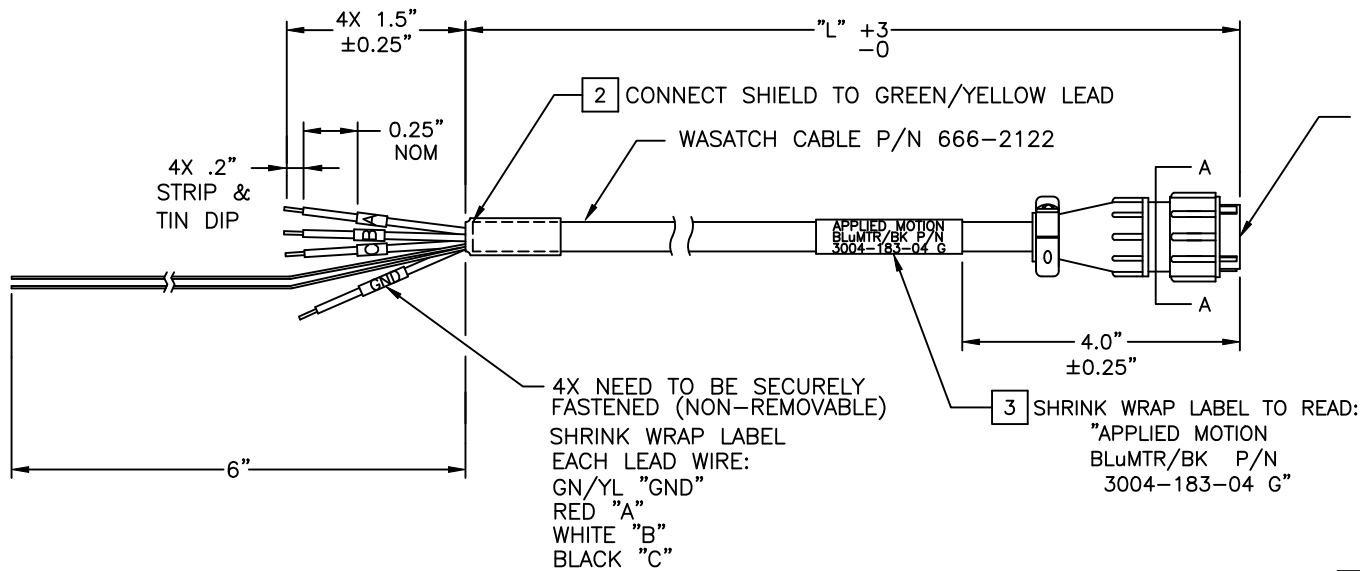


REVISIONS			
REV	DESCRIPTION	DATE	APPROVED
A	INITIAL RELEASE 5095		
B	CHG CONTACT #'s 5106		
C	ADD NOTE PER ECO 5147	8/3/04	R.BARRICK
D	REVISE PER ECO 5268	2/2/06	
E	MFGD BY BAY ASSOCIATES	2/2/06	
F	REVISE PER ECO 6097	5/17/10	J KORDIK
G	REVISE PER ECO 6820	9/12/13	J GEORGIANA



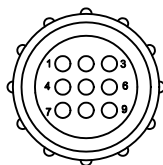
- 3 CABLE TO BE SHRINK WRAPPED AND MARKED AS SHOWN. LENGTH DICTATES MARKING, REFER TO CHART FOR DETAILS.
- 2 SHIELD TO BE ATTACHED TO GREEN/YELLOW WIRE SHRINK WRAP TO COVER CONNECTION
1. VENDOR TO INSPECT WIRE TERMINATION. (POSITION TO COLOR, POST ASS'Y).

NOTES: UNLESS OTHERWISE SPECIFIED

3 EXTENSION CABLE LENGTH/MARKING CHART

CABLE/CONNECTOR	
PIN #	LEAD COLOR
1	RED 'A'
2	WHITE 'B'
3	BLACK 'C'
4	GREEN/YELLOW
5	YELLOW 'BRK'
6	BLUE 'BRK'
7	N/C
8	N/C
9	N/C

DIM "L"	DESCRIPTION	PART NO/REV
4 FEET	BLUMTR/BK P/N	3004-183-04 G
10 FEET	BLUMTR/BK P/N	3004-183-10 G
20 FEET	BLUMTR/BK P/N	3004-183-20 G



VIEW A-A

VIEW FROM TERMINATION SIDE

TOLERANCES		THIRD ANGLE PROJECTION	
DECIMALS: MM (INCH) X.XXX = ± (.005) X.XX = ±0.13 (.010) X.X = ±0.25 (.020)			
ANGLES: MACH. = ±.5° CHAM. = ±5°		APPROVALS DRAWN R.BARRICK CHECKED APPROVED	DATE 11/4/03
COMPUTER DATA BASE DRAWING		B	DWG NO. 3004-183 REV G
SCALE: NONE		SHEET 1 OF 1	

BLUMTR-BK



APPLIED  
MOTION  
PRODUCTS, INC.

ALPHA MOTOR/BRAKE  
CABLE EXTENSION

B DWG NO. 3004-183 REV G

SCALE: NONE

SHEET 1 OF 1