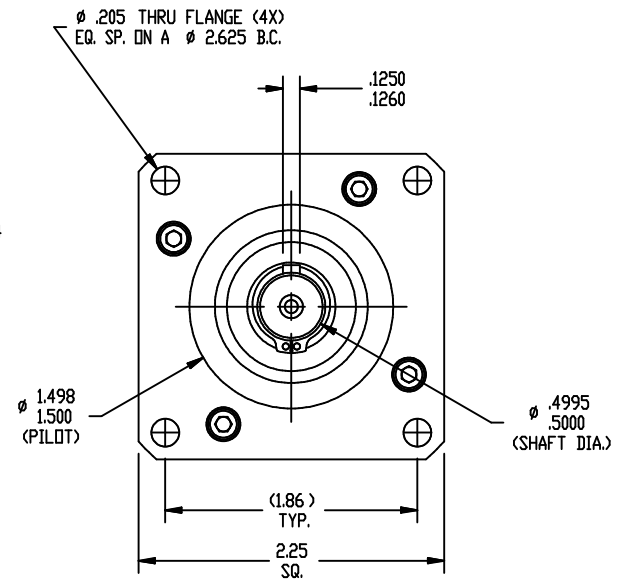
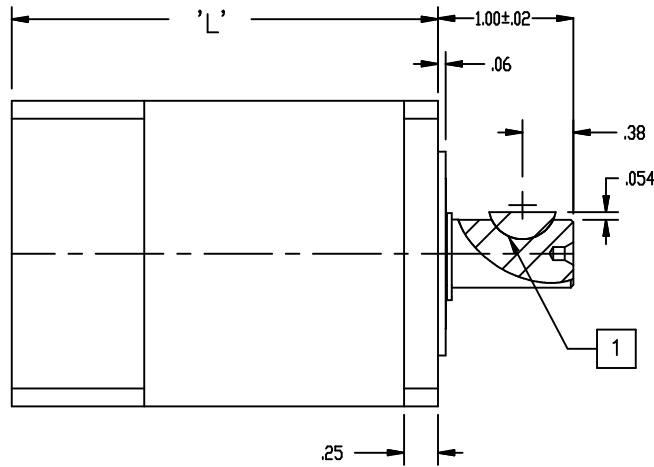
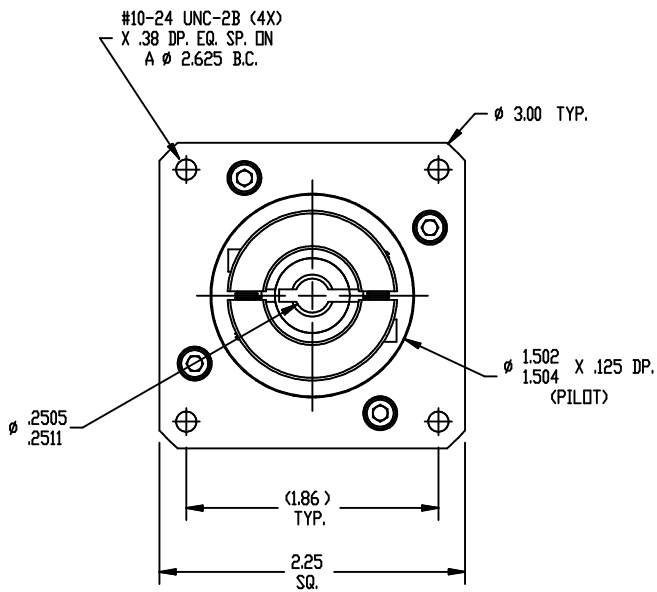


REVISIONS			
REV	DESCRIPTION	DATE	APPROVED
A	INITIAL RELEASE ECO 7249	1/8/16	J KORDIK

GEAR HEAD LENGTH	
PART NUMBER	'L'
23VL-1STAGE	2.46
23VL-2STAGE	3.14



GEAR RATIOS OFFERED		
GEAR HEAD:	RATIO:	DASH NO.
23VL-1STAGE	4:1	-004
	5:1	-005
	7:1	-007
	10:1	-010
23VL-2STAGE	15:1	-015
	20:1	-020
	25:1	-025
	28:1	-028
	40:1	-040
	50:1	-050
	70:1	-070
	100:1	-100

NOTES: UNLESS OTHERWISE SPECIFIED

- 1 #404 WOODRUFF KEY.
2. FOR TECHNICAL DETAILS, CONTACT APPLIED MOTION PRODUCTS.
3. SOME GEAR HEADS REQUIRE A CUSTOM ADAPTER, CHECK WHEN ORDERING.

TOLERANCES	THIRD ANGLE PROJECTION	APPLIED MOTION PRODUCTS, INC.	
DECIMALS: INCH (MM) X.XXX = ±.005 (0.013) X.XX = ±.01 (0.25) X.X = ±.01 (2.5)		OUTLINE, GEAR HEAD, VL23, SINGLE AND DOUBLE STAGE	
ANGLES: MACH. = ±.5° CHAM. = ±5°	APPROVALS DRAWN R JONEZ CHECKED		
COMPUTER DATA BASE DRAWING	APPROVED	B	DWG NO. 23VL-XXX REV A
		SCALE: NONE	SHEET 1 OF 1