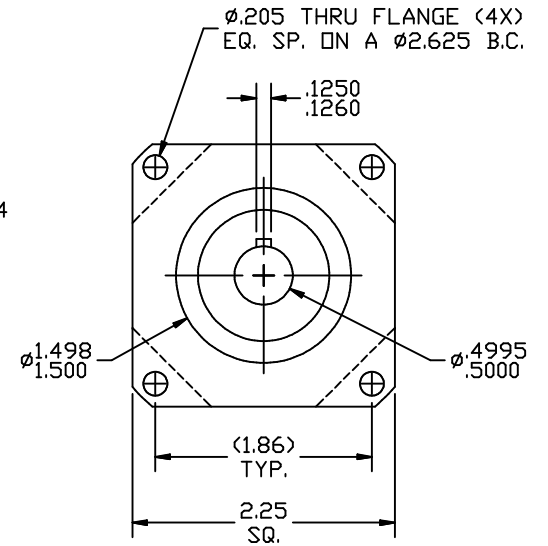
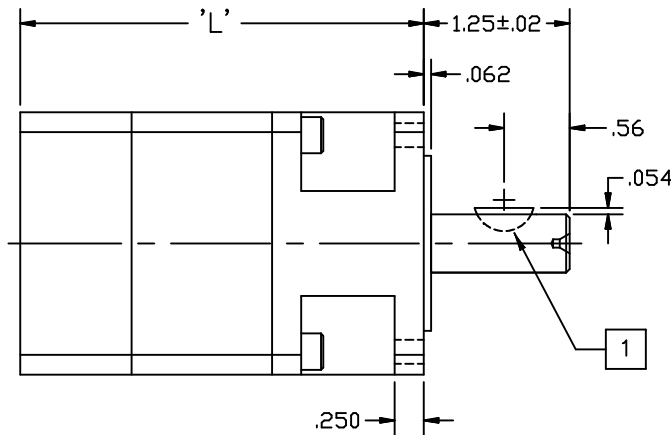
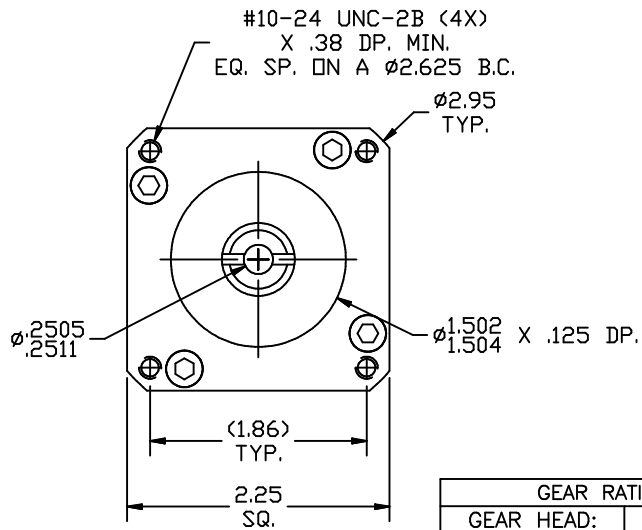


REVISIONS			
REV	DESCRIPTION	DATE	APPROVED
A	INITIAL RELEASE ECO 7249	1/8/16	J KORDIK

GEAR HEAD LENGTH	
PART NUMBER	'L'
23PL-1STAGE	2.66
23PL-2STAGE	3.48



GEAR RATIOS OFFERED		
GEAR HEAD:	RATIO:	DASH NO.
23PL-1STAGE	3:1	-003
	4:1	-004
	5:1	-005
	5.5:1	-0055
	7:1	-007
	10:1	-010
23PL-2STAGE	15:1	-015
	16:1	-016
	20:1	-020
	22:1	-022
	25:1	-025
	28:1	-028
	30:1	-030
	40:1	-040
	49:1	-049
	50:1	-050
	55:1	-055
	70:1	-070
	100:1	-100

NOTES: UNLESS OTHERWISE SPECIFIED

- 1 #404 WOODRUFF KEY.
2. FOR TECHNICAL DETAILS, CONTACT APPLIED MOTION PRODUCTS.
3. SOME GEAR HEADS REQUIRE A CUSTOM ADAPTER, CHECK WHEN ORDERING.

TOLERANCES		THIRD ANGLE PROJECTION		APPLIED MOTION PRODUCTS, INC.	
DECIMALS: INCH (MM)					
X.XXX = $\pm .005$ (0.013)					
X.XX = $\pm .01$ (0.25)		APPROVALS		DATE	
X.X = $\pm 0.1$ (2.5)		DRAWN R JONEZ		11/3/15	
ANGLES:		CHECKED		B	
MACH. = $\pm 5^\circ$		APPROVED		DWG NO. 23PL-XXX	
CHAM. = $\pm 5^\circ$				REV A	
COMPUTER DATA BASE DRAWING				SCALE: FULL SHEET 1 OF 1	