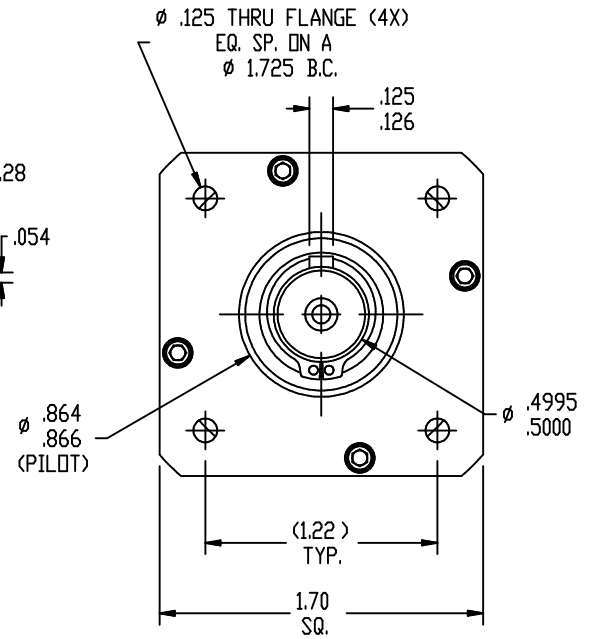
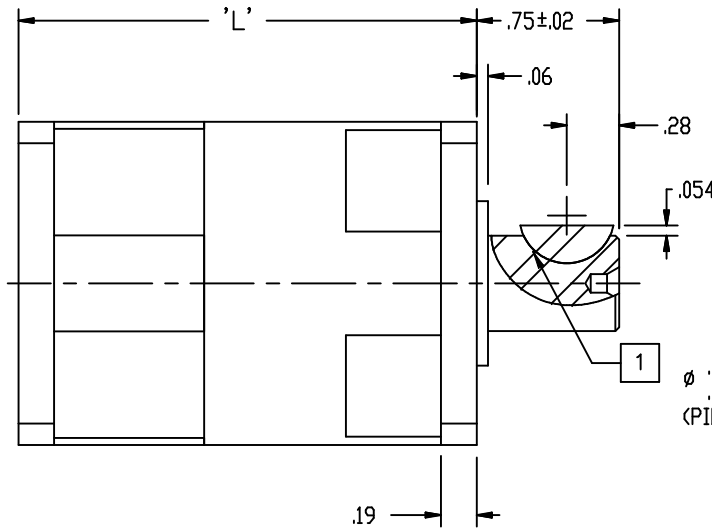
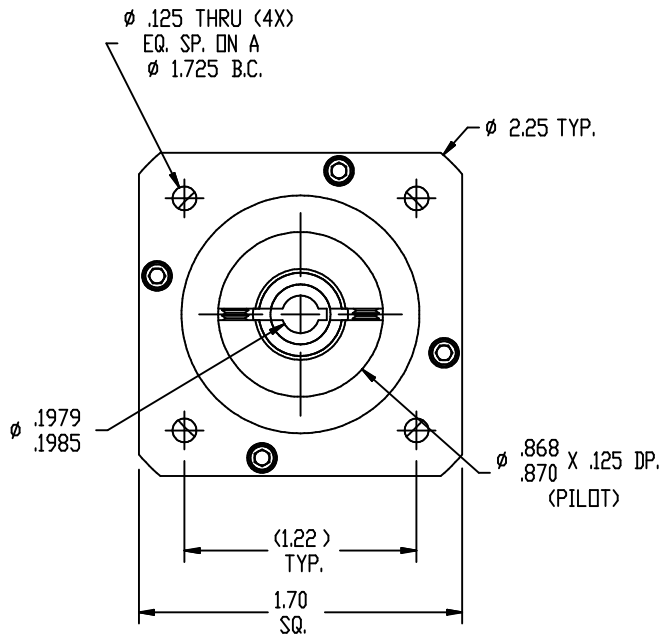


REVISIONS			
REV	DESCRIPTION	DATE	APPROVED
A	INITIAL RELEASE ECO 7249	11/3/15	J KORDIK

GEAR HEAD LENGTH	
PART NUMBER	'L'
17VL-1STAGE	2.41
17VL-2STAGE	2.96



GEAR RATIOS OFFERED		
GEAR HEAD:	RATIO:	DASH NO.
17VL-1STAGE	4:1	-004
	5:1	-005
	7:1	-007
	10:1	-010
17VL-2STAGE	15:1	-015
	20:1	-020
	25:1	-025
	28:1	-028
	40:1	-040
	50:1	-050
	70:1	-070
	100:1	-100

NOTES: UNLESS OTHERWISE SPECIFIED

- #404 WOODRUFF KEY.
- FOR TECHNICAL DETAILS, CONTACT APPLIED MOTION PRODUCTS.
- SOME GEAR HEADS REQUIRE A CUSTOM ADAPTER, CHECK WHEN ORDERING.

TOLERANCES	THIRD ANGLE PROJECTION	APPLIED MOTION PRODUCTS, INC.							
DECIMALS: INCH (MM) X.XXX = ±.005 (0.013) X.XX = ±.01 (0.25) X.X = ±0.1 (2.5)		<b>OUTLINE, GEAR HEAD, VL17, SINGLE AND DOUBLE STAGE</b>							
ANGLES: MACH. = ±.5° CHAM. = ±5°	<table border="1"> <tr> <td>APPROVALS</td> <td>DATE</td> </tr> <tr> <td>DRAWN R JONEZ</td> <td>11/3/15</td> </tr> <tr> <td>CHECKED</td> <td></td> </tr> <tr> <td>APPROVED</td> <td></td> </tr> </table>			APPROVALS	DATE	DRAWN R JONEZ	11/3/15	CHECKED	
APPROVALS	DATE								
DRAWN R JONEZ	11/3/15								
CHECKED									
APPROVED									
COMPUTER DATA BASE DRAWING		B	DWG NO. 17VL-XXX						
			REV A						
		SCALE: FULL	SHEET 1 OF 1						