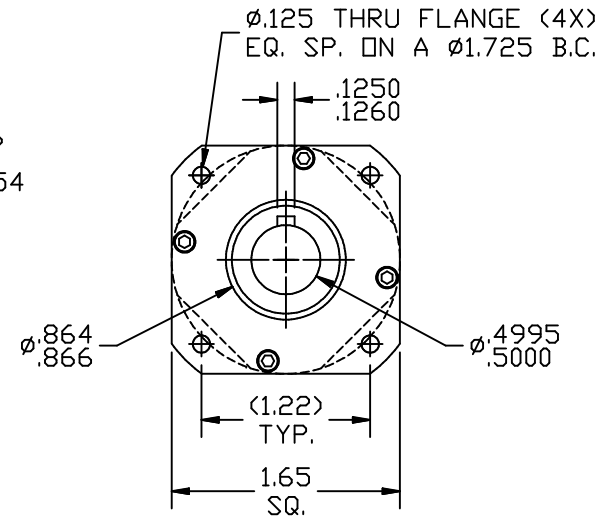
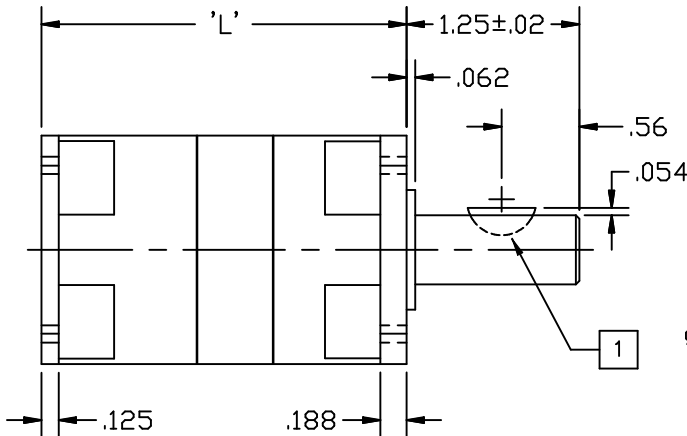
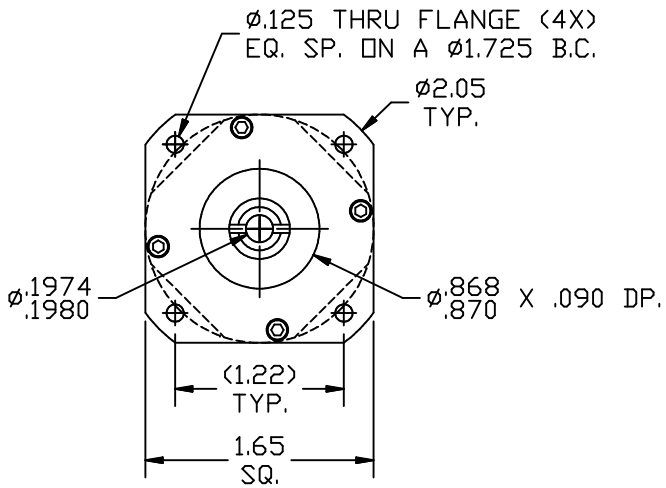


REVISIONS			
REV	DESCRIPTION	DATE	APPROVED
A	INITIAL RELEASE ECO 7249	1/11/16	J KORDIK

GEAR HEAD LENGTH	
PART NUMBER	'L'
17PN-1STAGE	2.66
17PN-2STAGE	3.32



GEAR RATIOS OFFERED		
GEAR HEAD:	RATIO:	DASH NO.
17PN-1STAGE	3:1	-003
	4:1	-004
	5.5:1	-0055
	7:1	-007
	10:1	-010
17PN-2STAGE	16:1	-016
	22:1	-022
	28:1	-028
	40:1	-040
	49:1	-049
	55:1	-055
	70:1	-070
	100:1	-100

NOTES: UNLESS OTHERWISE SPECIFIED

- #404 WOODRUFF KEY.
- FOR TECHNICAL DETAILS, CONTACT APPLIED MOTION PRODUCTS.
- SOME GEAR HEADS REQUIRE A CUSTOM ADAPTER, CHECK WHEN ORDERING.

TOLERANCES		THIRD ANGLE PROJECTION		APPLIED MOTION PRODUCTS, INC.	
DECIMALS: INCH (MM) X.XXX = ±0.005 (0.013) X.XX = ±0.01 (0.25) X.X = ±0.1 (2.5)					
ANGLES: MACH. = ±5° CHAM. = ±5°		APPROVALS DRAWN R JONEZ CHECKED			
COMPUTER DATA BASE DRAWING		APPROVED		OUTLINE, GEAR HEAD, PN17, SINGLE AND DOUBLE STAGE	
				B DWG NO.	17PN-XXX
				REV A	SCALE: FULL SHEET 1 OF 1