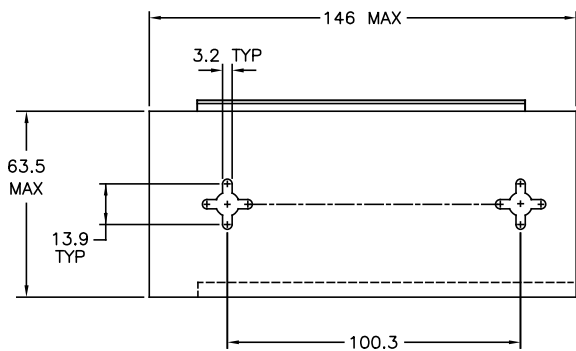
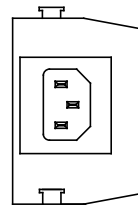


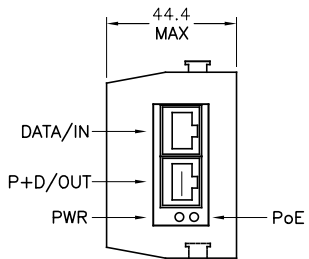
SIDE VIEW



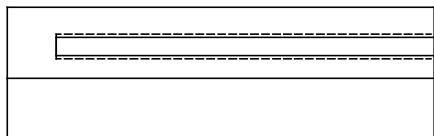
BOTTOM VIEW



POWER CONNECTOR VIEW



DATA CONNECTOR VIEW



SIDE VIEW



REVISIONS				
REV	ECO	DESCRIPTION	DATE	APPROVED
A	8414	INITIAL RELEASE	2/6/20	J.KORDIK

TECHNICAL DETAILS	
PASS THROUGH DATA RATES	10/100/1000 Mbps
POE PORTS	1
STANDARDS	IEEE 802.3at/af
OUTPUT VOLTAGE	52 VDC MAX
AC INPUT VOLTAGE	100 ~ 240 VAC
AC INPUT CURRENT	0.8A @ 100-240 VAC
AC FREQUENCY	50 TO 60 Hz
PORT POWER	30 WATTS MAX
WEIGHT	0.35 lbs/ 0.16 kg
INDICATORS	SYSTEM: AC POWER (GREEN)
CONNECTORS	RJ-45
PIN ASSIGNMENT	1/2(+), 3/6(-) OR 4/5(+), 7/8(-)
REGULATORY	RoHS COMPLIANT, CE/FCC
SAFETY APPROVALS	EN 60950:2006

NOTES: UNLESS OTHERWISE SPECIFIED

1. RECOMMENDED MOUNTING SCREW IS #6 PAN HEAD.
2. DIMENSIONS ARE REFERENCE ONLY, MEASURE BEFORE INSTALLATION.

TOLERANCES	THIRD ANGLE PROJECTION	APPLIED MOTION PRODUCTS, INC.		
DECIMALS: MM X.XXX = ±0.127 X.XX = ±0.25 X.X = ±2.5 ANGLES: MACH. = ±.5° CHAM. = ±5°		POE-I100G INJECTOR MOUNTING DETAILS		
APPROVALS	DATE			
DRAWN R. JONEZ	2/4/20	B	DWG NO. 1000-382	REV A
CHECKED	-	SCALE: NONE		SHEET 1 OF 1
APPROVED	-			
COMPUTER DATA BASE DRAWING	-			