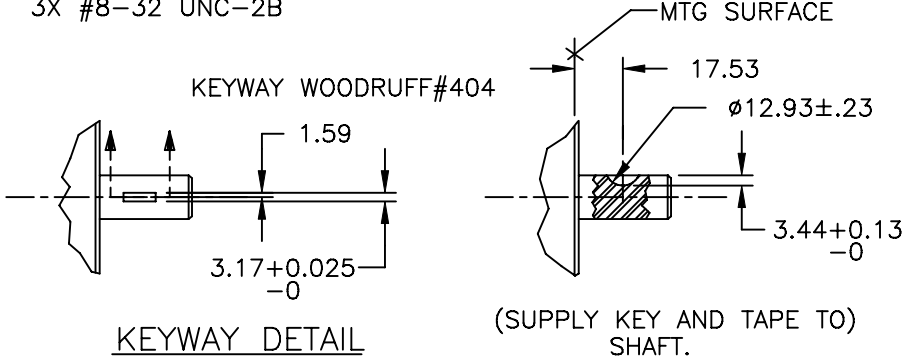
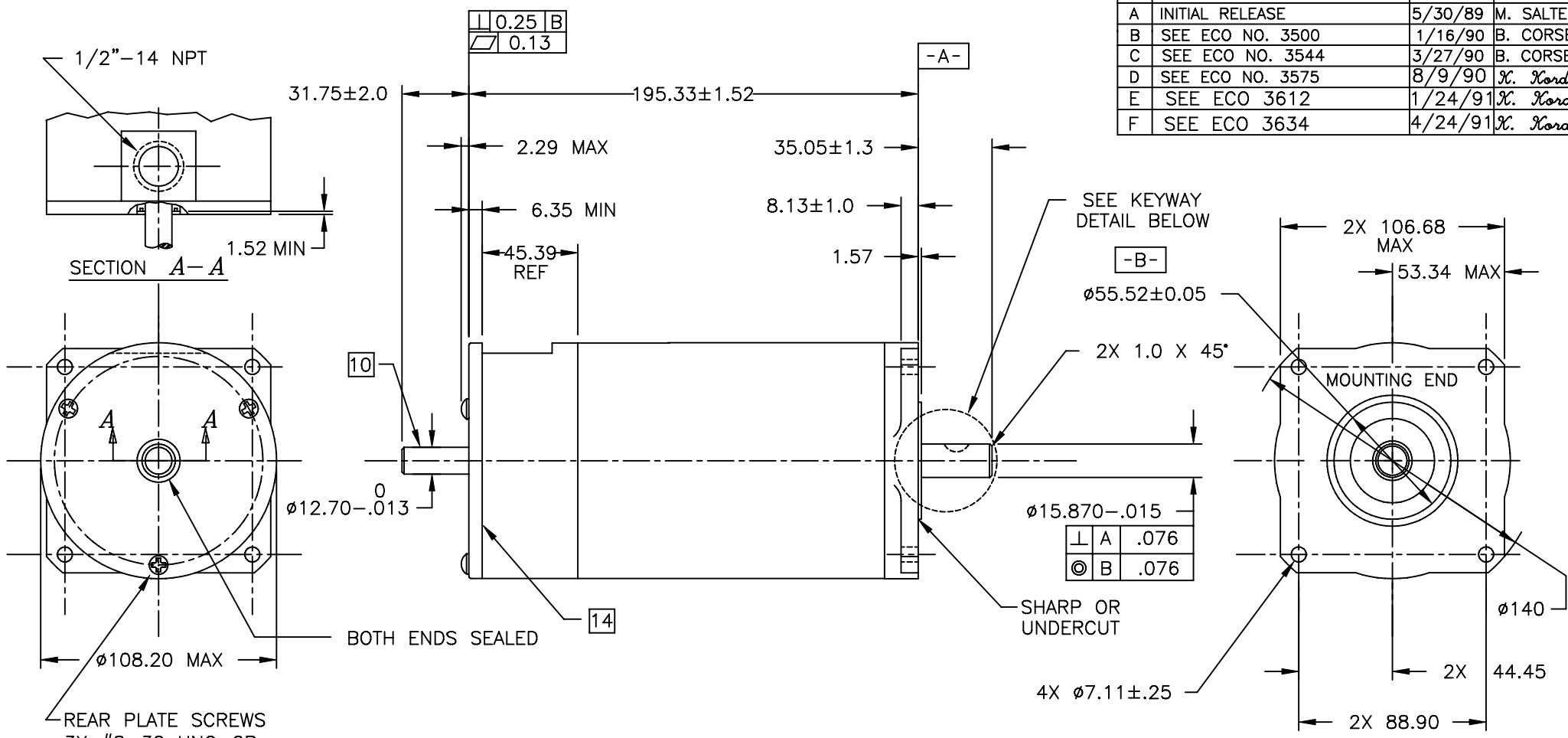


REVISIONS			
REV	DESCRIPTION	DATE	APPROVED
A	INITIAL RELEASE	5/30/89	M. SALTER
B	SEE ECO NO. 3500	1/16/90	B. CORSER
C	SEE ECO NO. 3544	3/27/90	B. CORSER
D	SEE ECO NO. 3575	8/9/90	K. Kordik
E	SEE ECO 3612	1/24/91	K. Kordik
F	SEE ECO 3634	4/24/91	K. Kordik



THIS DRAWING NOT COMPLETE WITHOUT: 5042-

TOLERANCES		THIRD ANGLE PROJECTION		APPLIED MOTION PRODUCTS, INC.	
DECIMALS: MM (INCH) X.XXX = ±0.01 (.005) X.XX = ±0.10 (.010) X.X = ±0.20 (.020)					
ANGLES: MACH. = ±5° CHAM. = ±5°		APPROVALS	DATE	STEP MOTOR OUTLINE	
COMPUTER DATA BASE DRAWING		DRAWN R. BARRICK	4/26/89	B	REV F
		CHECKED B. Corser	4/24/91	DWG NO.	4218195
		APPROVED M. SALTER	5/30/89	SHEET	1
		SCALE: 1/2 = 1			