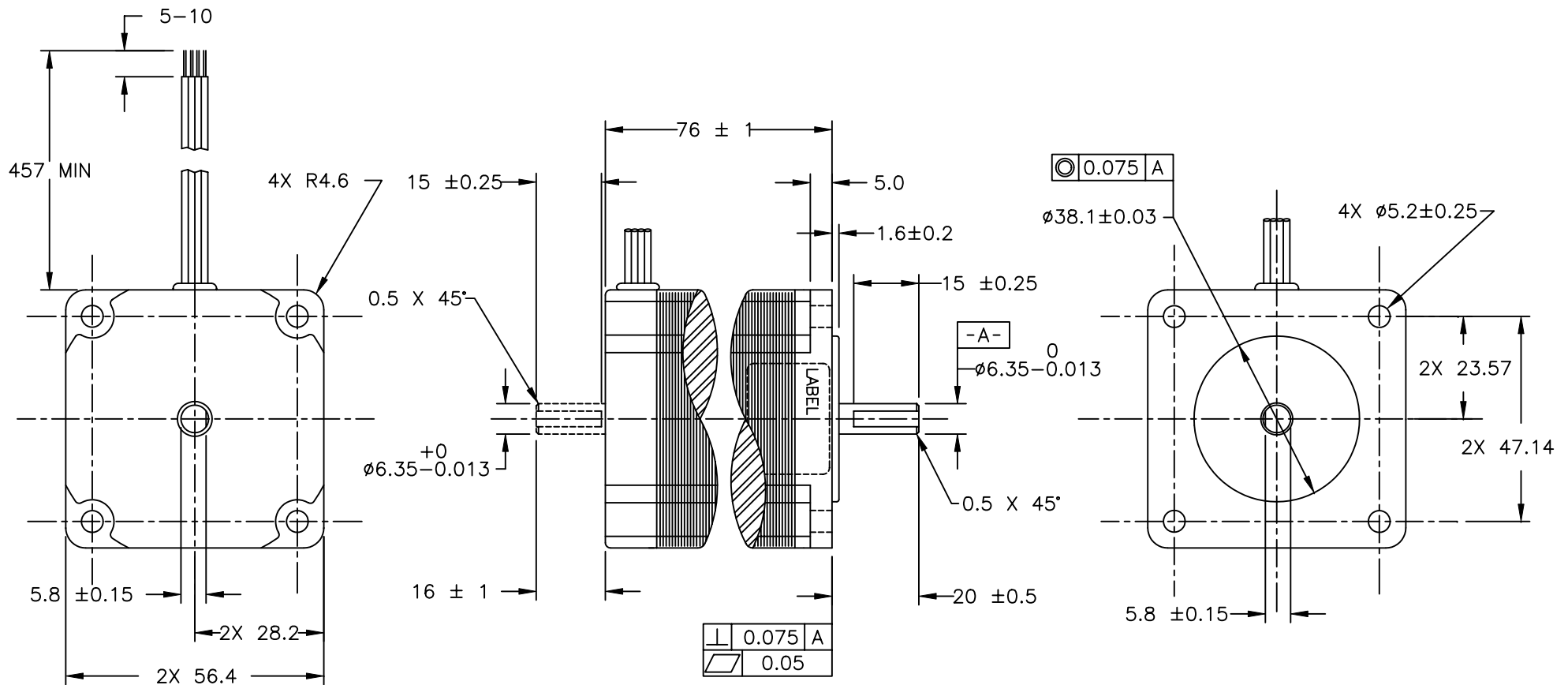


**Notes**

1. For double shft version add D to end of part Number e.g. HT23-397D



Outline drawing for  
HT23-399/HT23-400/HT23-401

TOLERANCES		THIRD ANGLE PROJECTION		APPLIED MOTION PRODUCTS, INC.	
DECIMALS: MM (INCH) X.XXX = $\pm 0.01$ (.005) X.XX = $\pm 0.10$ (.010) X.X = $\pm 0.20$ (.020) ANGLES: MACH. = $\pm 5^\circ$ CHAM. = $\pm 5^\circ$					
COMPUTER DATA BASE DRAWING		APPROVALS	DATE	STEP MOTOR OUTLINE	
		DRAWN		B	REV B
		CHECKED		DWG NO. 23HT76	
		APPROVED		SCALE: FULL SHEET 1 OF 1	