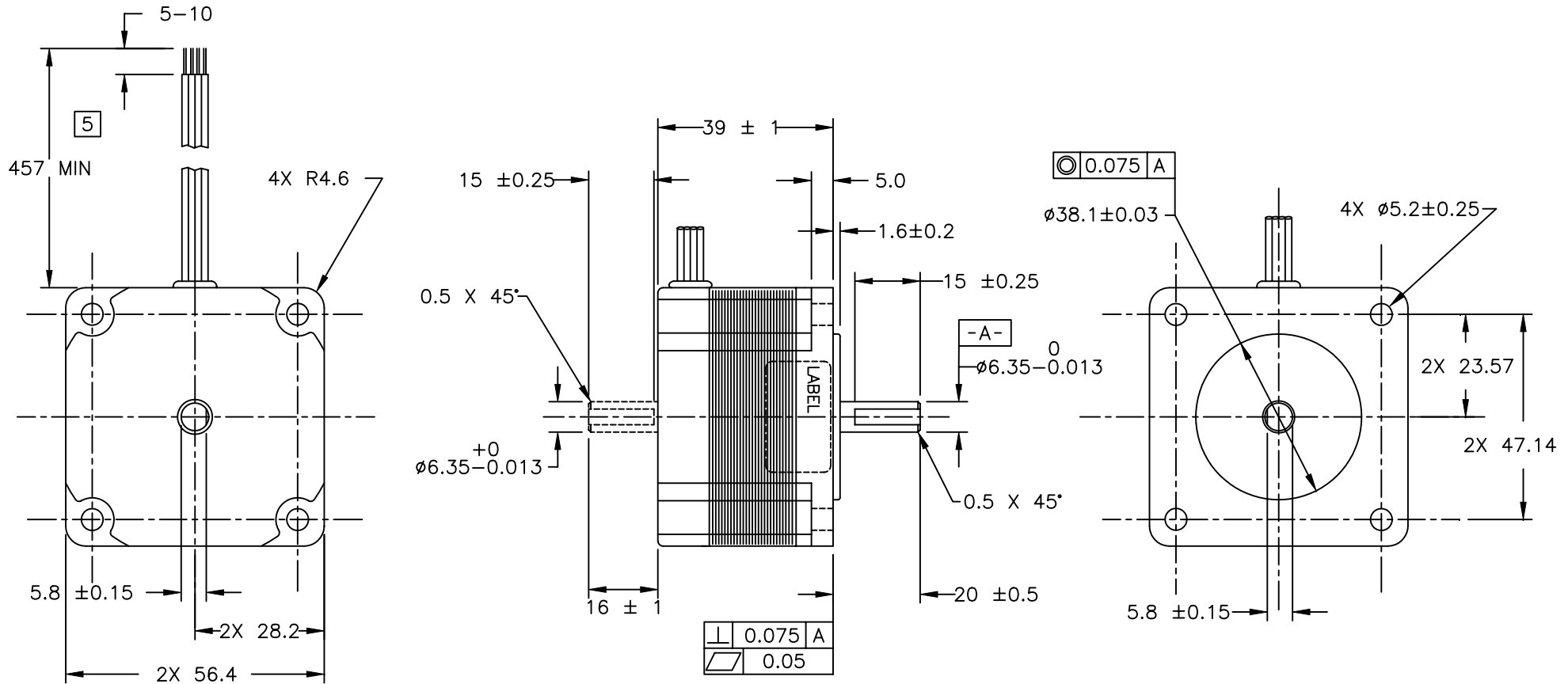


Notes

1. For double shaft version add D to end of part Number e.g. HT23-393D



Outline drawing for - HT23-393
HT23-394
HT23-395

| | | | | |
|--|--|-------------|--|------------|
| <p>TOLERANCES</p> <p>DECIMALS: MM (INCH)</p> <p>X.XXX = ±0.01 (.005)</p> <p>X.XX = ±0.10 (.010)</p> <p>X.X = ±0.20 (.020)</p> <p>ANGLES:</p> <p>MACH. = ±.5°</p> <p>CHAM. = ±5°</p> <p>COMPUTER DATA BASE DRAWING</p> | <p>THIRD ANGLE PROJECTION</p> | | <p>APPLIED MOTION PRODUCTS, INC.</p> | |
| | <p>APPROVALS</p> <p>DRAWN</p> <p>CHECKED</p> <p>APPROVED</p> | <p>DATE</p> | <p>STEP MOTOR OUTLINE</p> | |
| | <p>B</p> | | <p>DWG NO. 23HT39</p> | <p>REV</p> |
| | <p>SCALE: FULL</p> | | <p>SHEET 1 OF 1</p> | |