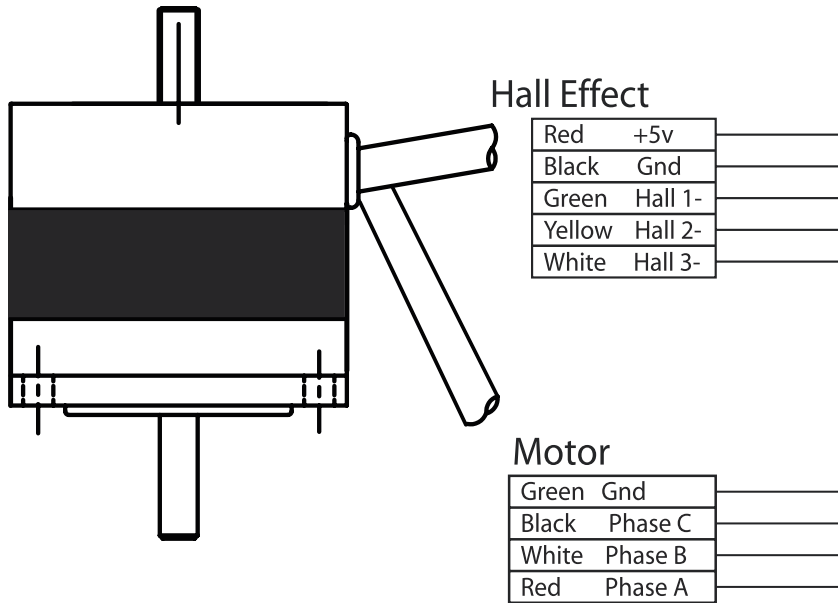
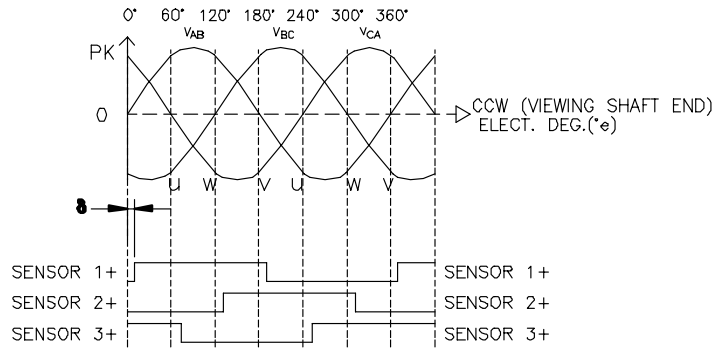


# ValueLine Wiring & Connection Details



PHASE SEQUENCE (SINE WAVE)

(1) MOTOR BACK E.M.F. WAVE FORM  
AT CCW VIEWING MOTOR SHAFT  
(MECH. DEG)=2x(ELECT.DEG)/(POLES)



MOTOR SHAFT CAN BE LOCKED AT "0" BY APPLYING THE RATED CURRENT + TO TERMINAL "B" AND - TO TERMINAL "A".

SENSOR: (HALL IC)

MAX VOLTAGE	V <sub>CC</sub>	V	18V
⊕ RATED VOLTAGE	V <sub>CC</sub>	V	5V
⊕ INPUT CURRENT	I <sub>CC</sub>	mA	8
OUTPUTS	—	OPEN COLLECTOR	
OUTPUT CURRENT	I <sub>Q</sub>	mA MAX	15
OUTPUT VOLTAGE	V <sub>Q</sub>	V MAX	18